

Sunred Gas Heater

FT17G Series



MADE IN P.R.C.



0063/19



2 years warranty

- EN** PATIO HEATER
- NL** TERRASVERWARMER
- DE** TERRASSENHEIZSTRAHLER
- FR** RADIATEUR DE TERRASSE



User instructions - please keep for future references

EN Gas Patio Heater



WARNING

Use in closed spaces can be dangerous and is FORBIDDEN

WARNING

Please read the manual before usage

IMPORTANT

Carefully remove the packaging before use, but keep the safety instruments. These are part of the product. Please note all safety warnings mentioned in this manual.

Read the instructions in their entirety and keep them for future reference.

These must be stored with the product. This product is for household use and may not be used for commercial or contractual purposes.





WARNING SAFETY RULES
PLEASE READ THE FOLLOWING SAFETY RULES PRIOR TO OPERATION OF THE HEATER

FOR YOUR SAFETY

If you smell gas:

1. Shut off gas to the appliance.
2. Extinguish any open flame.
3. If odor continues, immediately call your gas supplier or your fire department.

FOR YOUR SAFETY

1. Do not store or use gasoline or other flammable vapors and liquids in the vicinity of this or any other appliance.
2. An LP cylinder not connected for use shall not be stored in the vicinity of this or any other appliance.

WARNING

- 1) For use outdoors or in amply ventilated areas.
- 2) An amply ventilated area must have a minimum of 25 % of the surface area open.
- 3) The surface area is the sum of the walls surface.

WARNING

Improper installation, adjustment, alteration, service or maintenance can cause injury or property damage. Read the installation, operating and maintenance instructions thoroughly before installing or servicing this equipment.

WARNING

This appliance must be installed and the gas cylinder stored in accordance with the regulations in force;

- Do not obstruct the ventilation holes of the cylinder housing;
- Do not move the appliance when in operation;
- Shut off the valve at the gas cylinder or the regulator before moving the appliance;
- The tubing or the flexible hose must be changed within the prescribed intervals;
- Use only the type of gas and the type of cylinder specified by the manufacturer;

The LP tank used with your patio heater must meet the following requirements:

Purchase LP tanks only with these required measurements: (30.5cm) (diameter) x 57.1 cm (tall) with 23kg capacity maximum.

- In case of violent wind particular attention must be taken against tilting of the appliance;



Table of contents

Caution	2
Heater Stand and Location	5
Gas Requirements	6
Operation and Storage	7
Cleaning and Care	8
Parts and Specifications	9
Assembly Parts and Procedures	10
Leakage Test	17
Problems Check Test	18





CAUTION

PLEASE READ CAREFULLY THE FOLLOWING SAFETY GUIDELINES BEFORE OPERATION

Do not use the patio heater for indoors, as it may cause personal injury or property damage.

This outdoor heater is not intended to be installed on recreational vehicles and/or boats. Installation and repair should be done by a qualified service person.

Improper installation, adjustment, alteration can cause personal injury or property damage. Do not attempt to alter the unit in any manner.

Never replace or substitute the regulator with any regulator other than the factory-suggested replacement.

Do not store or use gasoline or other flammable vapors or liquids in the heater unit.

The whole gas system, hose, regulator, pilot or burner should be inspected for leaks or damage before use, and at least annually by a qualified service person.

All leak tests should be done with a soap solution. Never use an open flame to check for leaks. Do not use the heater until all connections have been leak tested.

Turn off the gas valve immediately if smell of gas is detected. Turn Cylinder Valve OFF. If leak is at Hose/Regulator connection: tighten connection and perform another leak test. If bubbles continue appearing should be returned to hose's place of purchase. If leak is at Regulator/Cylinder Valve connection: disconnect, reconnect, and perform another leak check. If you continue to see bubbles after several attempts, cylinder valve is defective and should be returned to cylinder's place of purchase.

Do not transport heater while it's operating.

Do not move the heater after it has been turned off until the temperature has cooled down. Keep the ventilation opening of the cylinder enclosure free and clear of debris.

Do not paint the radiant screen, control panel or top canopy reflector.

Control compartment, burner and circulation air passageways of the heater must be kept clean. Frequent cleaning may be required as necessary.

The LP tank should be turned off when the heater is not in use. Check the heater immediately if any of the following occurs:

- The heater does not reach temperature.
- The burner makes popping noise during use (a slight noise is normal when the burner is extinguished).
- Smell of gas in conjunction with extreme yellow tipping of the burner flames.

WARNING

The user assumes all risks of assembling and operating gas heater. Not heeding the warnings and instructions of this manual can result in severe bodily harm, death or material damage. If you don't read this user manual or if you cannot fully understand it, please ask your spe-

WARNING

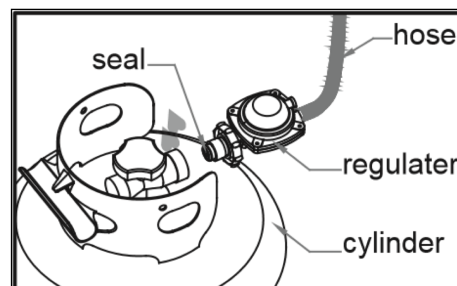
When not heeding the instructions and information in this manual or in case of improper usage outside of the intended usage purposes,



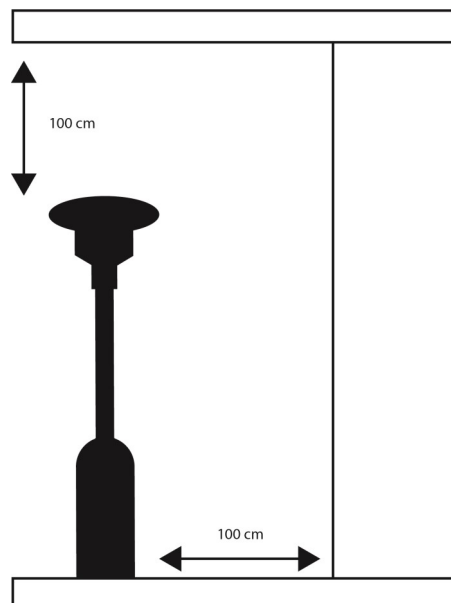
CAUTION

PLEASE READ CAREFULLY THE FOLLOWING SAFETY GUIDELINES BEFORE OPERATION

- The LP regulator/hose assembly must be located out of pathways where people may trip over it or in area where the hose will not be subject to accidental damage.
- Any guard or other protective device removed for servicing the heater must be replaced before operating the heater. Adults and children should stay away from high temperature surface to avoid burns or clothing ignition.
- Children should be carefully supervised when they are in the area of the heater.
- Clothing or other flammable materials should not be hung on the heater or placed on or near the heater.
- To change the gas cylinder in a amply ventilated area, away from any ignition source (candle, cigarettes, other flame producing appliances, ...);
- To check that the regulator seal is correctly fitted and able to fulfill its function showed as photo right;
- To not obstruct the ventilation holes of the cylinder housing;
- To close the gas supply at the valve of the gas cylinder or the regulator after use;
- In the event of gas leakage, the appliance shall not be used or if alight, the gas supply shall be shut off and the appliance shall be investigated and rectified before it is used again;
- To check the hose at least once per month, each time the cylinder is changed, or each time before long time no use.
- If it shows signs of cracking, splitting or other deterioration it shall be exchanged for new hose of the same length and of the equivalent quality;
- The use of this appliance in enclosed areas can be dangerous and is PROHIBITED;
- Read the instructions before using this appliance. The appliance must be installed in accordance with the instructions and local regulations.
- For connection of hose and regulator, and connection of regulator and hose, please refer to photo showed above.



Seal	
Hose	
Regulator	
Cylinder	



Product model may vary

Minimum distance must be 100 cm

HEATER STAND AND LOCATION

The heater is primarily for outdoor use only. Always ensure that adequate fresh air ventilation is provided.

Always maintain proper clearance to non protected combustible materials i.e. top 100 cm and sides 100 cm minimum.

Heater must be placed on level firm ground.

Never operate heater in an explosive atmosphere like in areas where gasoline or other flammable liquids or vapors are stored.

To protect heater from strong wind, anchor the base securely to the ground with screws.



CAUTION

PLEASE READ CAREFULLY THE FOLLOWING SAFETY GUIDELINES BEFORE OPERATION

GAS REQUIREMENTS

- Use propane, butane or their mixtures gas only.
- The pressure regulator and hose assembly to be used must conform to local standard codes.
- The installation must conform to local codes, or in the absence of local codes, with the standard for the storage and handling of liquid petroleum gases.
- A dented, rusted or damaged tank may be hazardous and should be checked by your tank supplier. Never use a tank with a damaged valve connection.
- The tank must be arranged to provide for vapor withdrawal from the operating cylinder.
- Never connect an unregulated tank to the heater.

LEAKAGE TEST

- Gas connections on the heater are leak tested at the factory prior to shipment. A complete gas tightness check must be performed at the installation site due to possible mishandling in shipment or excessive pressure being applied to the heater.
- Make a soap solution of one part liquid detergent and one part water. The soap solution can be applied with a spray bottle, brush or rag. Soap bubbles will appear in case of a leak.
- The heater must be checked with a full cylinder.
- Make sure the safety control valve is in the OFF position.
- Turn the gas supply ON.
- In case of a leak, turn off the gas supply. Tighten any leaking fittings, then turn the gas supply on and re- check.
- Never leak test while smoking.

WARNING

Do not attempt any changes to the device in any way to apply. Incorrect installation, improper use,



CAUTION

PLEASE READ CAREFULLY THE FOLLOWING SAFETY GUIDELINES BEFORE OPERATION

TO TURN ON THE HEATER

1. Depress and turn control knob clockwise to OFF position.
2. Fully open gas valve.
3. Depress control knob and turn knob counter-clockwise to IGNITE position, then to PILOT position (you will hear 2 clicks).
4. With the pilot light lit, keep control knob depressed for 30 seconds.

NOTE

If the pilot light has not ignited, turn heater control knob to OFF position, fully close gas valve, wait 5 minutes, then repeat steps 2–4 of the Lighting Instructions.

NOTE

If the pilot light ignites but does not stay lit, turn heater control knob to OFF position, fully close propane gas valve, wait 5 minutes, then repeat steps 2–3. Now, using a lighter, ignite the pilot light through the ignition hole on the emitter screen. Once the pilot light is lit, depress control knob for 30 seconds.

5. After depressing the control knob for 30 seconds, turn control knob to LOW. To increase the temperature, turn towards HIGH.

WARNING

Check that no broken on the glass is found before operation.

TO TURN OFF THE HEATER

1. Fully close gas valve.
2. Turn control knob clockwise to OFF position.

STORAGE

1. Always close the gas valve of the gas cylinder after use or in case of a disturbance.
2. Remove the pressure regulator and the hose.
3. Check the tightness of the gas valve and if you suspect a damage, have it changed by your gas dealer.
4. Never store liquid gas cylinder in a sub-terrain, or at places without adequate air ventilation.

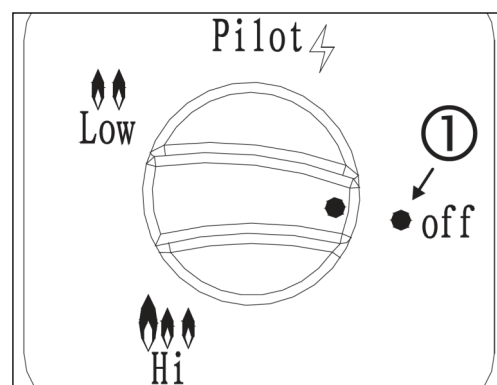
CLEANING AND CARE

- Wipe off powder coated surfaces with soft, moist rag. Do not clean heater with cleaners that are combustible or corrosive.
- Remove debris from the burner to keep it clean and safe for use.
- Cover the burner unit with the optional protective cover when the heater is not in use.

Off: The heater stop working

Hi: Maximum temperature position

Lo: Minimum temperature position



Vertaling variable control knob

Vertaling igniter



CAUTION

PLEASE READ CAREFULLY THE FOLLOWING SAFETY GUIDELINES BEFORE OPERATION

DURING PERIODS OF EXTENDED INACTIVITY OR WHEN TRANSPORTING:

- Turn the control to “OFF” position.
- Disconnect LPG cylinder and move to a secure, well-ventilated location outdoors. DO NOT store in a location that will exceed 50 degrees C.
- Store heater upright in an area sheltered away from weather conditions (such as rain, sleet, hail, snow)
- If desired, cover heater to protect exterior surfaces and to help prevent dust and debris collecting in air passages.

WARNING—FOR YOUR SAFETY

- DO NOT touch or move heater for at least 45 minutes after use.
- Allow all burner elements to cool before touching.

NOTE

In a salt-air environment (such as near an Ocean) corrosion occurs more quickly than normal.

- Frequently check for corroded areas and repair them promptly.
- Wait until heater is cooled down before covering.



PARTS AND SPECIFICATIONS

A. Construction and characteristics

- Transportable terrace/garden heater with tank housing.
- Casing in steel with powder-coating or in stainless steel.
- Gas hose connections with metal clamp (screw caps for Germany). Heat emission from reflector.

B. Specifications

- Use propane, butane or their mixtures gas only.
- Max. wattage: 11000 watts
- Min. wattage: 5000 watts
- Consumption:

APPLIANCE CATEGORY:	I3+(28-30/37)		I3B/P(30)	I3B/P(50)
TYPES OF GAS:	Butane	Propane	Butane, propane or their mixtures	Butane, propane or their mixtures
GAS PRESSURE	28-30 mbar	37 mbar	30 mbar	50 mbar
OUTLET PRESSURE OF REGULATOR:	30 mbar	30 mbar	30 mbar	50 mbar

Using the proper regulator according to outlet pressure of regulator as showed in the table above.

C. Table of injector

APPLIANCE CATEGORY:	I3+(28-30/37)		I3B/P(30)	I3B/P(50)
TYPES OF GAS:	Butane	Propane	Butane, propane or their mixtures	Butane, propane or their mixtures
GAS PRESSURE	28-30 mbar	37 mbar	30 mbar	50 mbar
TOTAL HEAT INPUT (Hs): (Qn)	11 kW (800 g/h)			
INJECTOR SIZE	1.6 mm for main burner 0.18 mm for pilot burner		1.4 mm for main burner 0.18 mm for pilot burner	

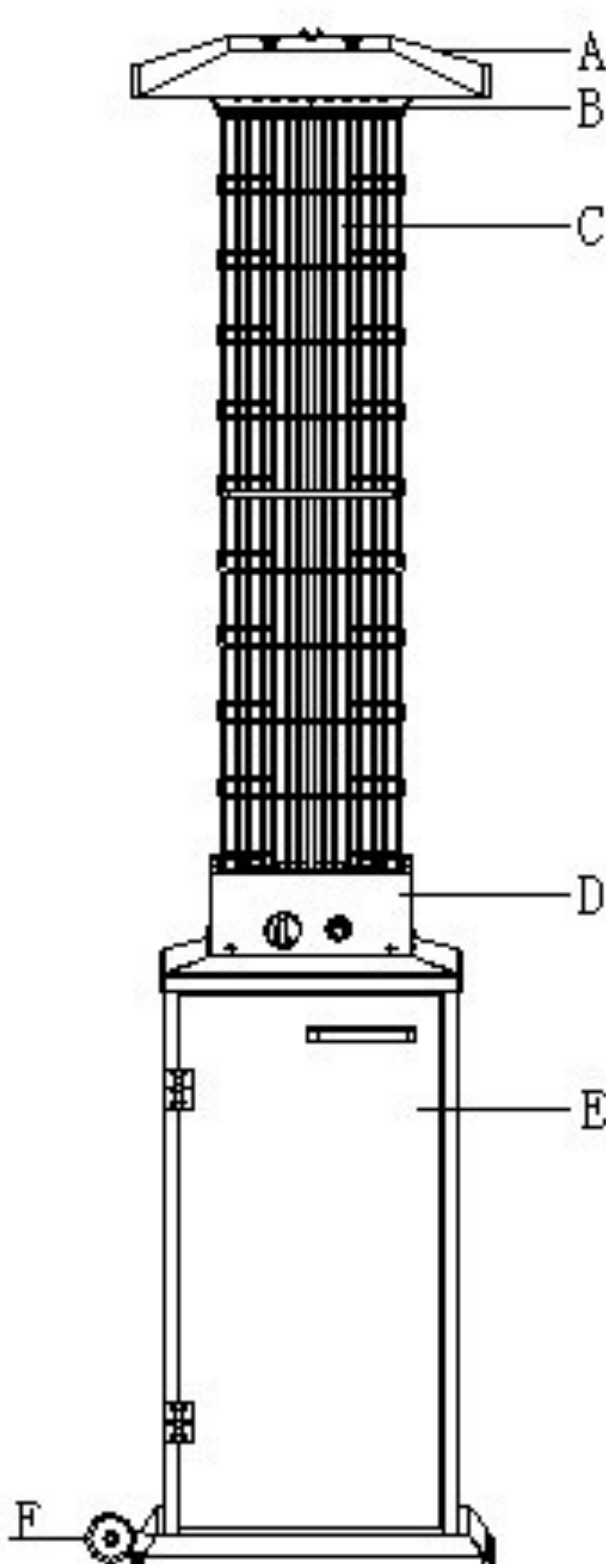
The marking, for example, 1.6 on the injector, indicates that the size of injector is 1.6 mm

- The hose and regulator assembly must conform to local standard codes.
- Regulator outlet pressure should meet the corresponding appliance category in B. Specification.
- The appliance requires approved hose in 1.4m length.

A regulator (complies with EN16129:2013 and the national regulation) of the correct pressure corresponding to the appliance category.
 Use 30mbar regulator for butane/propane under the category I3B/P(30). Use 30mbar regulator for butane under the category I3+(28-30/37).
 Use 37mbar regulator for propane under the category I3+(28-30/37).
 Use 50mbar regulator for butane/propane under the category I3B/P(50).
 It's recommended to use flexible hose that approved by EN16436: 2014.



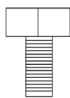


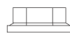


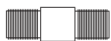


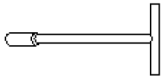
COMPONENT OVERVIEW



A	Reflector
B	Upper plate
C	Glass tube
D	Burner assembly
E	Tank
F	Wheel



COMPONENT OVERVIEW

AA		Bolt M8	2x
BB		Nut M8	2x
CC		Bolt M5	8x
DD		Nut M5	12x
EE		Washer $\Phi 6$	6x
FF		Wrench	1x
GG		Reflector support	3x
HH		Wing nut M6	3x
II		Rubber ring	1x
JJ		Wrench 8mm	1x



LEAK TEST

WARNING

Read the instructions before installation.

WARNING

The device may not be used in the event of a leak. When the unit is turned on, shut off the gas supply and check the unit before using again.

WARNING

The recommended frequency of tubing or flexible tubing testing (at least once a month and each time the cylinder is replaced) and the need for regular replacement, if indicated on the tubing or flexible tubing. If it shows signs of cracking, cracking or other damage, it must be replaced with a new hose of equal length and quality

WARNING

- 1) Read the instructions before installing;
- 2) Do not connect the gas cylinder directly to the unit without the regulator.
- 3) The hoses or the flexible hose must be replaced within the prescribed intervals.
- 4) Use only the gas type and bottle type specified in this manual.

WARNING

Do not connect the gas cylinder to the unit without a regulator.
Use only the specified gas and bottle type.

WARNING

- When the ignition flame doesn't ignite or if it's extinguished, turn the control to "OFF". It needs to be in OFF position for at least 5 minutes before ignition can be attempted again. Ensure that the control is in OFF position before igniting the gas heater again.
- If a new gas bottle has been newly connected, let gas pipe air escape through ignition flame hole for at least one minute.
- When igniting the flame, ensure that the variable control is pressed the whole time while ignition button is pressed. The variable control can be released once ignition flame is burning.
- You can observe and control the ignition flame through the little round window with sliding cover situated at the bottom of the radiation shade. The ignition flame can also be lit with a match. Slide the sliding cover to the side in order to ignite the ignition flame through



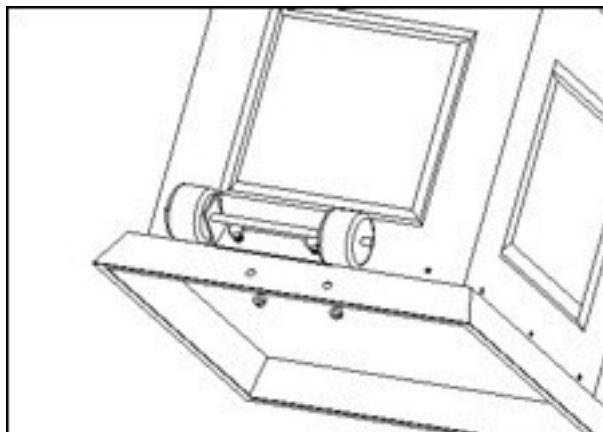
ASSEMBLY

Step 1

Assemble wheel(M) to the base, insert M8(1) and tighten M8 nut(2)

NOTE

The top frame must match the bottom frame. The magnet side must be on the



Step 2

Assemble the rubber ring to one end of glass tube



Step 3

Put the end with rubber ring to burner assembly and assemble the glass tube

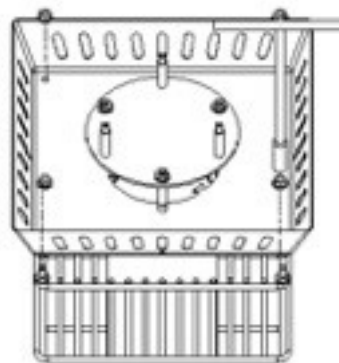




ASSEMBLY

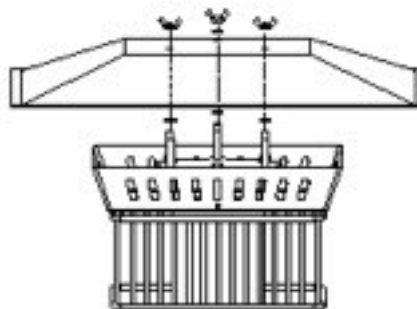
Step 4

Connect the tube(F) to the burner assembly by 8 screws 3/16"(3) and tighten all screws



Step 5

3.Connect Burner assembly to the tank by 8 screws(7) and 8 nuts M5 (4)

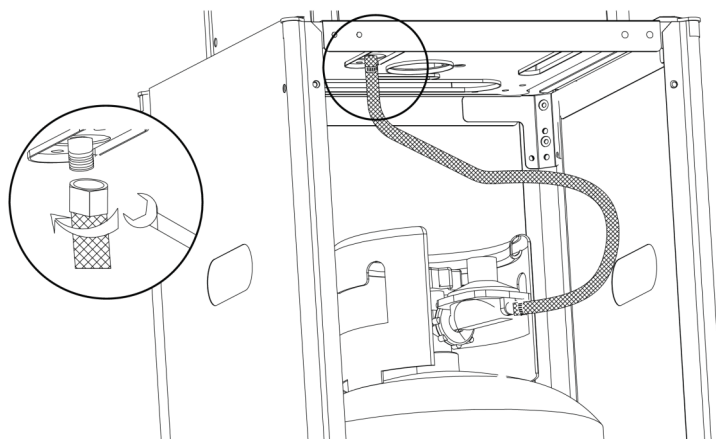
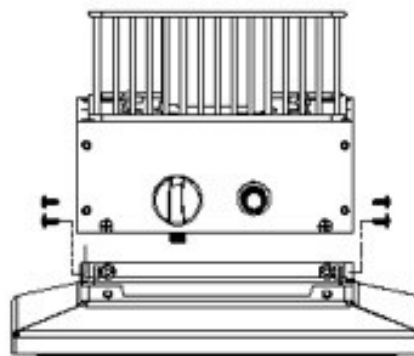


Step 6

Connect gas hose with burner.
Ensure tight position.

Run a tightness/leak test.

The injector attached to this unit is not intended for removal. The injector is factory assembled. It is forbidden to change this device from one gas pressure to another pressure. Do not connect gas cylinder directly to the unit without a regulator. The flexible hose should be approved according to EN16436:2014. The regulator must comply with standard EN16129:2013, the outlet pressure of the regulator should correspond to the values on the nameplate. The replaced regulator must comply at least with the following specification according to national regulations.





LEAK TEST

WARNING

A leak test must be performed annually and each time a cylinder is hooked up or if a part of the gas system is replaced.

WARNING

Never use an open flame to check for gas leaks. Be certain no sparks or open flames are in the area while you check for leaks. Sparks or open flames will result in a fire or explosion, damage to property, serious bodily injury, or death..

LEAK TESTING

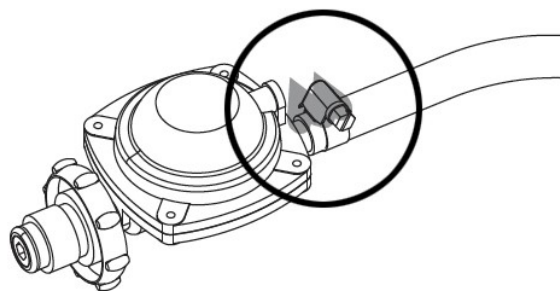


This must be done before initial use, annually, and whenever any gas Components are replaced or serviced. Do not smoke while performing this test, and remove all sources of ignition. See Leak Testing Diagram for areas to check. Turn all burner controls to the off position. Turn gas supply valve on.

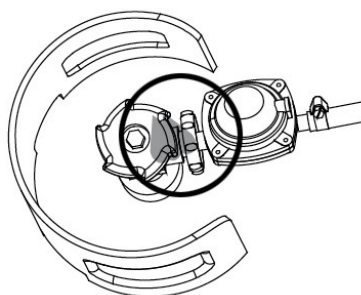
Brush a half-and-half solution of liquid soap and water onto all joints and connections of the regulator, hose, manifolds and valves.



If the leak cannot be stopped, **immediately shut off the gas supply**, disconnect it, and have the patio heater inspected by a certified gas installer or dealer. Do not use the patio heater until the leak has been corrected.

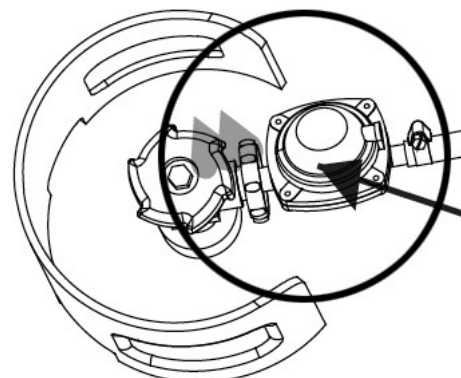
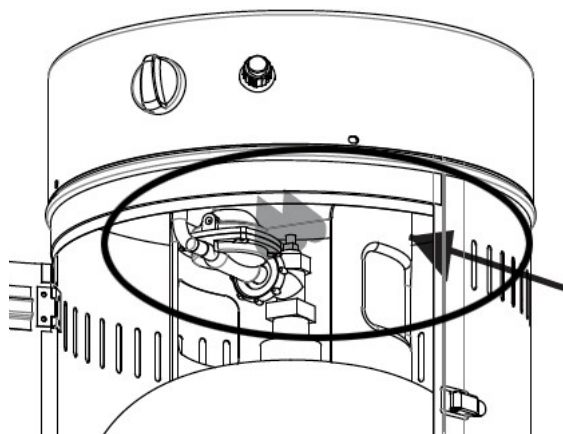


Hose / regulator connection



Regulator / Cylinder connection

Case of the product may vary





PROBLEMS CHECK LIST

PROBLEM	PROBABLE CAUSE	SOLUTION
	Gas valve may be OFF Tank fuel empty Opening blocked Air in supply system Loose connections	Turn the gas valve ON Clean or replace opening Refill LPG tank Purge air from lines Check all fittings
Pilot will not stay on	Debris around pilot Loose connections Thermocouple bad Gas leak in line Lack of fuel pressure	Clean dirty area Tighten connections Replace thermocouple Check connections Tank near empty. Refill LPG tank.
Burner will not light	Pressure is low Opening blocked Control not ON Thermocouple bad Pilot light assembly bent Not in correct location	Empty bottle. Fill Remove and clean Turn the switch Replace the thermocouple Position correctly Position correctly and try again
If the appliance is in case of any defaults or problems of assembly or use Please don't try to modify it by yourself contact your supplier or distributor to solve it.		



WARRANTY CARD



2 years limited warranty

Please complete this form and fax or e-mail to the numbers below. Please return with a receipt to your retailer if your products becomes faulty.

- Please add a scan/copy of the receipt.
- Please add images/pictures and a **description** of the faulty or damaged product.

Your name:

.....

Your address:

.....

.....

E-mail address:

.....

Postcode:

Product name:

.....

Model number:

.....

Batch code:

(located at rating label
on the rear or side of
the unit.)

Place of purchase:

.....

Date of purchase:

Year:

OutTrade B.V.
De Grift 1
7711 EP Nieuwleusen
The Netherlands

Tel: +31-529—48 28 08
Fax: +31-529—48 49 10

info@outtrade.eu
www.outtrade.eu

Please describe the fault:



EU DECLARATION OF CONFORMITY		
We,	OutTrade B.V. De Grift 1 7711 EP Nieuwleusen	
Declare under our sole responsibility that the product described below:		
Brand and model name:	Sunred	FT17G Series
Equipment Classification	Outdoor Patio Gas Heater	
Is in conformity with the following Standards and Directives:		
Standard	With reference to (2009/142/EC) EN 14543+A1:2007 CE 0063	
I hereby declare that the equipment named above has been designed to comply with the relevant sections of above referenced Standards and meets all essential requirements of the specified Directives.		
Signed: R. Dijkman	Signature:	
Position: Managing Director		
Location: Nieuwleusen, The Netherlands	Date of issue:	Nieuwleusen, 09/07/2019



OutTrade BV

De Grift 1—7711 EP Nieuwleusen

Tel: +31 (0)529-482808

Fax: +31 (0)529-484910

Email: info@outtrade.eu

Website: www.outtrade.eu



Gebruikershandleiding - Bewaar voor toekomstig gebruik

NL Gas Terrasverwarmer

WAARSCHUWING

Gebruik in gesloten ruimtes kan gevaarlijk zijn en is VERBODEN.

WAARSCHUWING

Lees de handleiding voor gebruik.

BELANGRIJK

Verwijder zorgvuldig de verpakking voor gebruik, maar bewaar de veiligheidsinstructies. Deze instructies maken deel uit van het product. Gelieve nota te nemen van alle veiligheidswaarschuwing die in deze handleiding vermeldt worden.

Lees de instructies in hun geheel door en bewaar deze voor toekomstig gebruik.

Deze instructies dienen te worden bewaard met het product.

Dit product is voor huishoudelijk gebruik en mag niet commercieel of voor contractdoeleinden worden gebruikt.





BELANGRIJK: VEILIGHEIDSVOORSCHRIFTEN LEES DE VEILIGHEIDSVOORSCHRIFTEN VOOR U DE HEATER IN GEBRUIK NEEMT

VOOR UW VEILIGHEID

Als u gas ruikt:

1. Sluit de gastoevoer naar het toestel.
2. Doof eventueel open vuur.
3. Als geur blijft, bel dan onmiddellijk uw gasleverancier of de brandweer.

VOOR UW VEILIGHEID

1. Bewaar of gebruik geen benzine of andere ontvlambare gassen en vloeistoffen in de nabijheid van dit of een ander apparaat.
2. Een niet aangesloten gasfles mag niet in buurt van dit of een ander apparaat worden opgeslagen.

WAARSCHUWING

- 1) Voor gebruik buiten of in voldoende geventileerde ruimtes.
- 2) Een voldoende geventileerde ruimte houdt in dat minimaal 25% van de omringende oppervlakken geopend zijn. (Zie Fig. 2)
- 3) De omringende oppervlakken zijn de som van de omringende wand-oppervlaktes.

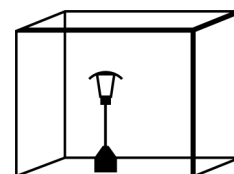


Fig. 2

WAARSCHUWING

Een onjuiste installatie, aanpassing, wijziging, service of onderhoud kan leiden tot letsel of schade aan eigendommen. Lees de installatie-, bedienings- en onderhoudsinstructies grondig door vóór de installatie of onderhoud van dit apparaat.

WAARSCHUWING

- Dit apparaat moet worden geïnstalleerd en de gasfles opgeslagen in overeenstemming met de geldende voorschriften.
- De ventilatiegaten van de gasflesbehuizing niet afdekken.
- Verplaats het apparaat niet tijdens gebruik.
- Sluit het ventiel van de gasfles of de regelaar voor u het apparaat verplaatst.
- De leiding of de flexibele slang moet binnen de voorgeschreven intervallen worden vervangen.
- Gebruik alleen het type gas en gasfles dat door de fabrikant voorgeschreven wordt.
- De gasfles moet aan de volgende eisen voldoen: Afmeting 30,5cm diameter, 57,1cm hoogte, 23kg capaciteit.
- In geval van harde wind dient u ervoor te zorgen dat het apparaat niet kantelt en omvalt.



Inhoudsopgave

Waarschuwing	20
Plaatsing van de heater	23
Gasgebruik	24
Gebruik en opslag	25
Reiniging en onderhoud	25
Onderdelen en specificaties	28
Montage: Onderdelen en stappen	29
Lektest	33
Checklist bij storing	34





BELANGRIJK: VEILIGHEIDSVOORSCHRIFTEN **LEES DE VEILIGHEIDSVOORSCHRIFTEN VOOR U DE HEATER IN GEBRUIK NEEMT**

Gebruik de heater niet binnenshuis; dit kan persoonlijk letsel of materiële schade veroorzaken.

Deze heater mag niet in/op recreatieve voertuigen en /of boten worden geïnstalleerd.

Installatie en reparatie moet worden uitgevoerd door een gekwalificeerd persoon.

Onjuiste installatie, aanpassing of wijziging kan persoonlijk letsel of materiële schade veroorzaken.

Probeer niet om het toestel op enige wijze te veranderen.

Vervang de regelaar alleen met een door de fabrikant goedgekeurde regelaar.

Bewaars of gebruik geen benzine of andere brandbare gassen of vloeistoffen in de heater.

Het hele gassysteem, de slang, de regelaar, de waakvlam of brander moeten op lekken of schade worden gecontroleerd voor gebruik, en ten minste eenmaal jaarlijks door een bevoegd persoon.

Alle lektesten moet worden gedaan met een zeepoplossing. Gebruik nooit een open vlam om op lekkages te controleren.

Gebruik de heater niet totdat alle aansluitingen zijn getest op lekkages.

Sluit de gastoevoer onmiddellijk als u gas ruikt. Sluit het gasventiel van de gasfles. Indien het lek bij de aansluiting tussen de slang en de regelaar zit, draait u de verbinding steviger aan en controleert u opnieuw op lekkages. Als u nog steeds luchtblaasjes ziet moet de slang teruggebracht worden naar de plaats van aankoop. Indien het lek bij de aansluiting tussen de regelaar en het ventiel van de gasfles zit: ontkoppel, verbind opnieuw, en controleer weer op lekkages. Als u luchtblaasjes blijft zien na herhaaldelijk proberen is het gasventiel defect en dient u de gasfles terug te brengen naar de plaats van aankoop.

Verplaats de heater niet tijdens gebruik.

Verplaats de heater niet als deze uitgeschakeld is maar nog niet voldoende afgekoeld.

De ventilatiegaten van de gasflesbehuizing schoon en vrij houden.

Het scherm, bedieningspaneel en/of reflectorscherm mogen niet geschilderd worden.

Bedieningspaneel, brander en luchtcirculatie-doorgangen van de heater moeten schoon worden gehouden. Frequent reinigen kan nodig zijn.

De gasfles moet worden dichtgedraaid als de heater niet in gebruik is.

Controleer de heater onmiddellijk indien een van de volgende situaties zich voordoet:

- De heater komt niet op temperatuur.

- De brander maakt een knetterend geluid tijdens het gebruik (een lichte ruis is normaal wanneer de brander wordt gedooft).

- Geur van gas in combinatie met extreem gele kantelen van de brandervlammen.

De regelaar en de slang moeten uit de buurt van wandelpaden gehouden worden, zodat personen er niet over struikelen of de regelaar en slang anderszins beschadigd raken.

Beschermende onderdelen die vanwege onderhoud of schoonmaak verwijderd zijn moeten voor gebruik teruggeplaatst worden.

Volwassenen en kinderen moeten uit de buurt van een hete heater blijven om brandwonden en ontsteking van kleding te voorkomen.

Kinderen dienen onder toezicht te staan in de buurt van heater.

Kleding of andere brandbare materialen mogen niet worden opgehangen aan/over de heater of in de onmiddellijke omgeving van de heater.

WAARSCHUWING

De gebruiker neemt alle risico's op zich bij het monteren en bedienen van gasverwarming. Het niet opvolgen van de waarschuwingen en instructies in deze handleiding kan resulteren in lichamelijke, dodelijke of materiële schade. Raadpleeg uw gespecialiseerde dealer als u deze gebruikershandleiding niet leest of als u deze niet volledig begrijpt. De fabrikant of leverancier is niet aansprakelijk voor nalatig gebruikersgedrag.

WAARSCHUWING

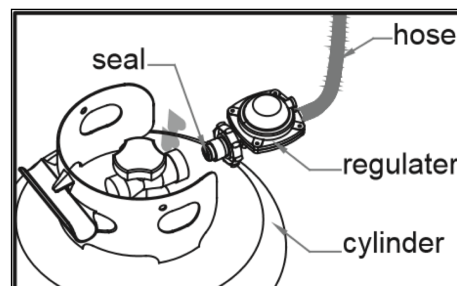
Bij het niet opvolgen van de instructies en informatie in deze handleiding of in geval van oneigenlijk gebruik buiten de beoogde gebruiksdoeleinden, wijst de fabrikant alle aansprakelijkheid voor productbeschadiging af.



BELANGRIJK: VEILIGHEIDSVOORSCHRIFTEN

LEES DE VEILIGHEIDSVOORSCHRIFTEN VOOR U DE HEATER IN GEBRUIK NEEMT

- Vervang de gasfles uitsluitend in een goed geventileerde ruimte, uit de buurt van ontstekingsbronnen (kaarsen, sigaretten, andere vlamproducerende toestellen, etc.).
- Controleer of het loodgieterstape aan de regelaar correct is aangebracht, en in staat om zijn functie te vervullen (zie afbeelding).
- Bedek de ventilatiegaten van de gasfles niet.
- Sluit na gebruik de gastoevoer aan het ventiel van de gasfles of aan de regelaar.
- In het geval van een lekkage mag het apparaat niet gebruikt worden. Als het apparaat aan staat, sluit u de gastoevoer en controleert u het toestel voor hernieuwd gebruik.
- Controleer de slang minimaal eenmaal per maand, en telkens bij vervanging van de gasfles, of wanneer het apparaat een lang niet gebruikt is. Als de slang barstjes, scheurtjes of andere afwijkingen vertoont, dient deze te worden vervangen door een slang met dezelfde lengte en gelijkwaardige kwaliteit.
- Het gebruik van dit apparaat in een gesloten ruimte kan gevaarlijk zijn en is verboden.
- Lees de instructies voordat u dit apparaat gebruikt. Het apparaat moet in overeenstemming met deze instructies en de plaatselijke regelgeving worden geïnstalleerd.
- Zie voor de aansluiting van de slang en regelaar de afbeelding hierboven.



Seal	Zegel
Hose	Slang
Regulator	Regelaar
Cylinder	Cilinder

PLAATSING VAN DE HEATER

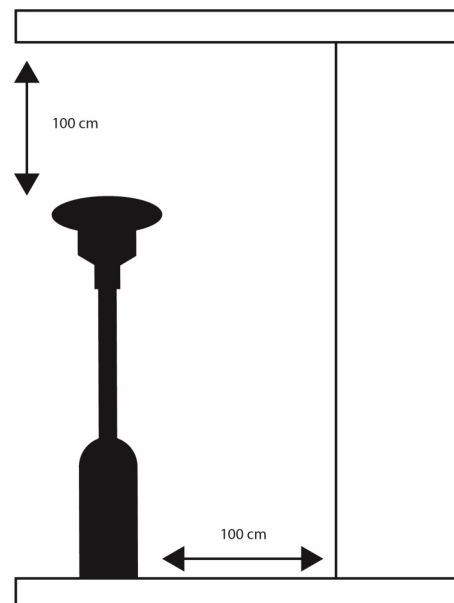
De heater is bedoeld voor gebruik buitenshuis. Zorg altijd voor voldoende frisse lucht en ventilatie.

Zorg altijd voor voldoende afstand tot niet-beschermde brandbare materialen (100 cm aan de bovenzijde, minimaal 100 cm aan de zijkanten).

Plaats de heater op een stevige en rechte ondergrond.

Gebruik de heater nooit in een explosieve omgeving, dwz in gebieden waar benzine of ander brandbare vloeistoffen of gassen worden opgeslagen.

Bescherm de heater tegen sterke wind door de heater aan de ondergrond vast te schroeven.



Product model may vary

Minimale afstand moet tenminste 100 cm bedragen



BELANGRIJK: VEILIGHEIDSVOORSCHRIFTEN **LEES DE VEILIGHEIDSVOORSCHRIFTEN VOOR U DE HEATER IN GEBRUIK NEEMT**

GASGEBRUIK

- Gebruik uitsluitend propaan, butaan of mengsels van deze twee gassen.
- De drukregelaar en slang moeten voldoen aan de plaatselijke voorschriften.
- De installatie moet voldoen aan de plaatselijke voorschriften. Bij het ontbreken van dergelijke voorschriften moet de installatie voldoen aan de normen voor opslag en overslag van vloeibare petroleumgassen.
- Een gedeukte, verroeste of beschadigde gasfles kan gevaarlijk zijn en moet gecontroleerd worden door uw gasflesleverancier. Gebruik nooit een propaangasfles met een beschadigd ventiel. Positioneer de gasfles zo dat gas uit de fles ontnomen kan worden.
- Sluit nooit een niet-gereguleerde gasfles aan op de heater.

LEAKAGE TEST

- Gasverbindingen op de heater zijn voor de verzending door de fabriek getest. Op de plaats van installatie dient de heater op volledige gasdichtheid te worden gecontroleerd vanwege eventuele beschadiging tijdens het transport, of bovenmatige druk op de heater.
- Met één deel vloeibare zeep of afwasmiddel en één deel water maakt u een zeepoplossing. De zeepoplossing kan worden aangebracht met een spuit, een borstel, of een doek. In het geval van een lek zullen zeepbellen zichtbaar zijn.
- De heater moet worden gecontroleerd met een volle gasfles.
- Zorg ervoor dat het veiligheidscontroleschakelaar in de OFF-stand staat.
- Draai de gastoevoer open.
- In het geval van een lek draait u de gastoevoer dicht. Repareer eventuele lekkende fittingen, draai dan de gastoevoer weer open en controleer opnieuw.
- Nooit roken tijdens een lekttest.

WAARSCHUWING

Probeer op geen enkele wijze veranderingen aan het apparaat aan te brengen. Verkeerde installatie, onoordeelkundig gebruik, wijzigingen of aanpassingen aan het apparaat kunnen schade of letsel veroorzaken. Fabrikant en importeur aanvaarden hiervoor geen enkele verantwoordelijkheid!



BELANGRIJK: VEILIGHEIDSVOORSCHRIFTEN

LEES DE VEILIGHEIDSVOORSCHRIFTEN VOOR U DE HEATER IN GEBRUIK NEEMT

DE HEATER AANZETTEN

1. Druk de controleschakelaar in en draai deze met de klok mee in de OFF-stand.
2. Draai het ventiel van de gasfles volledig open.
3. Druk de controleschakelaar in en draai deze tegen de klok in in de IGNITE-stand, daarna in de PILOT-stand (u hoort tweemaal een 'klik').
4. Nu de waakvlam is ontstoken houdt u de controleschakelaar 30 seconden ingedrukt.

NOTITIE

Als de waakvlam niet ontsteekt draait u de controleschakelaar in de OFF-stand, en draait u het ventiel van de gasfles dicht. Wacht 5 minuten en herhaal dan de stappen 2-4.

NOTITIE

Als de waakvlam wel ontsteekt maar niet aan blijft, draait u de controleschakelaar in de OFF-stand, en draait u het ventiel van de gasfles dicht. Wacht 5 minuten en herhaal dan de stappen 2-3. Gebruik dan een aansteker om de waakvlam te ontsteken door het ontstekingsgat in het protectiescherm. Nu de waakvlam is ontstoken houdt u de controleschakelaar 30 seconden ingedrukt.

5. Nadat u de controleschakelaar 30 seconden ingedrukt heeft gehouden, draait u de schakelaar in de LOWstand. Voor een hogere temperatuur draait u de schakelaar richting HIGH.

WAARSCHUWING

Controleer voor gebruik of het glas niet gebarsten is.

DE HEATER UIT ZETTEN

1. Draai het ventiel op de gasfles volledig dicht.
2. Draai de controleschakelaar met de klok mee in de OFF-stand.

OPBERGEN

1. Sluit altijd de regelaar van de gasfles na gebruik of in geval van een storing.
2. Verwijder de drukregelaar en de slang.
3. Controleer de dichtheid van de gasklep en als u een schade vermoedt, laat het veranderen door je gasdealer.
4. Berg de gasflessencilinder nooit op in een kleine ruimtes of op plaatsen zonder voldoende ventilatie

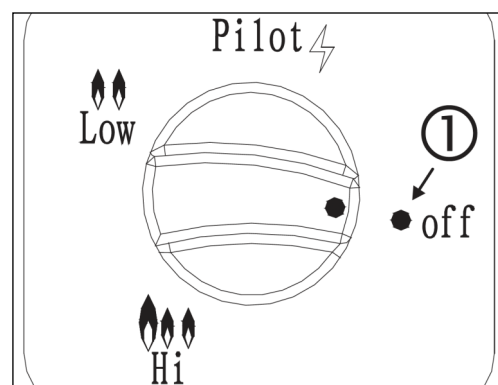
REINIGING EN ONDERHOUD

- Veeg gepoedercoate oppervlakken schoon met een zachte, vochtige doek. Niet reinigen met brandbare of bijtende schoonmaakmiddelen.
- Verwijder vuil van de brander om deze schoon en veilig voor gebruik te houden.
- Bedek de brander met de optionele beschermkap als de heater niet in gebruik is.

OFF: de heater staat uit

Hi: stand maximumtemperatuur

Lo: stand minimumtemperatuur



Variabele controle knop

Ontsteker



BELANGRIJK: VEILIGHEIDSVOORSCHRIFTEN
LEES DE VEILIGHEIDSVOORSCHRIFTEN VOOR U DE HEATER IN GEBRUIK NEEMT

TIJDENS PERIODEN VAN LANGDURIGE INACTIVITEIT OF TIJDENS TRANSPORT:

- Draai de knop naar "OFF".
- Koppel de LPG-cilinder los en ga naar een veilige, goed geventileerde locatie buitenshuis. NIET opslaan in een locatie die 50 graden zal overschrijden.
- Berg de kachel rechtop op in een gebied dat beschermt is van weersomstandigheden (zoals regen, natte sneeuw, hagel, sneeuw)
- Bedek, indien gewenst, de verwarming om buitenoppervlakken te beschermen en om te voorkomen dat stof en vuil zich verzamelen in luchtkanalen.

WAARSCHUWING

- Raak de verwarming na gebruik minimaal 45 minuten NIET aan of beweeg hem niet.
- Laat alle branderelementen afkoelen voordat u ze aanraakt.

NOTE

In een zout-luchtomgeving (zoals in de buurt van een oceaan) treedt corrosie sneller op dan normaal

- Controleer regelmatig op gecorrodeerde gebieden en repareer ze snel.
- Wacht tot het verwarmingselement is afgekoeld voordat u het afdekt.



ONDERDELEN EN SPECIFICATIES

A. Constructie en eigenschappen

- Verplaatsbare terras / tuinverwarmer met tankbehuizing.
- Behuizing in staal met poedercoating of in roestvrij staal.
- Gasslangaansluitingen met metalen klem (schroefdoppen voor Duitsland). Warmte-afgifte van reflector.

B. Specificaties

- Gebruik uitsluitend propaan, butaan of mengsels van deze gassen.
- Max. wattage: 11000 watts
- Min. wattage: 5000 watts
- Gebruik:

APPLIANCE CATEGORY:	I3+(28-30/37)		I3B/P(30)	I3B/P(50)
TYPES OF GAS:	Butane	Propane	Butane, propane or their mixtures	Butane, propane or their mixtures
GAS PRESSURE	28-30 mbar	37 mbar	30 mbar	50 mbar
OUTLET PRESSURE OF REGULATOR:	30 mbar	30 mbar	30 mbar	50 mbar

Gebruik de juiste regelaar volgens de uitlaatdruk van de regelaar.

C. Tabel van injectie

APPLIANCE CATEGORY:	I3+(28-30/37)		I3B/P(30)	I3B/P(50)
TYPES OF GAS:	Butane	Propane	Butane, propane or their mixtures	Butane, propane or their mixtures
GAS PRESSURE	28-30 mbar	37 mbar	30 mbar	50 mbar
TOTAL HEAT INPUT	11 kW (800 g/h)			
INJECTOR SIZE	1.6 mm for main burner 0.18 mm for pilot burner		1.4 mm for main burner 0.18 mm for pilot burner	

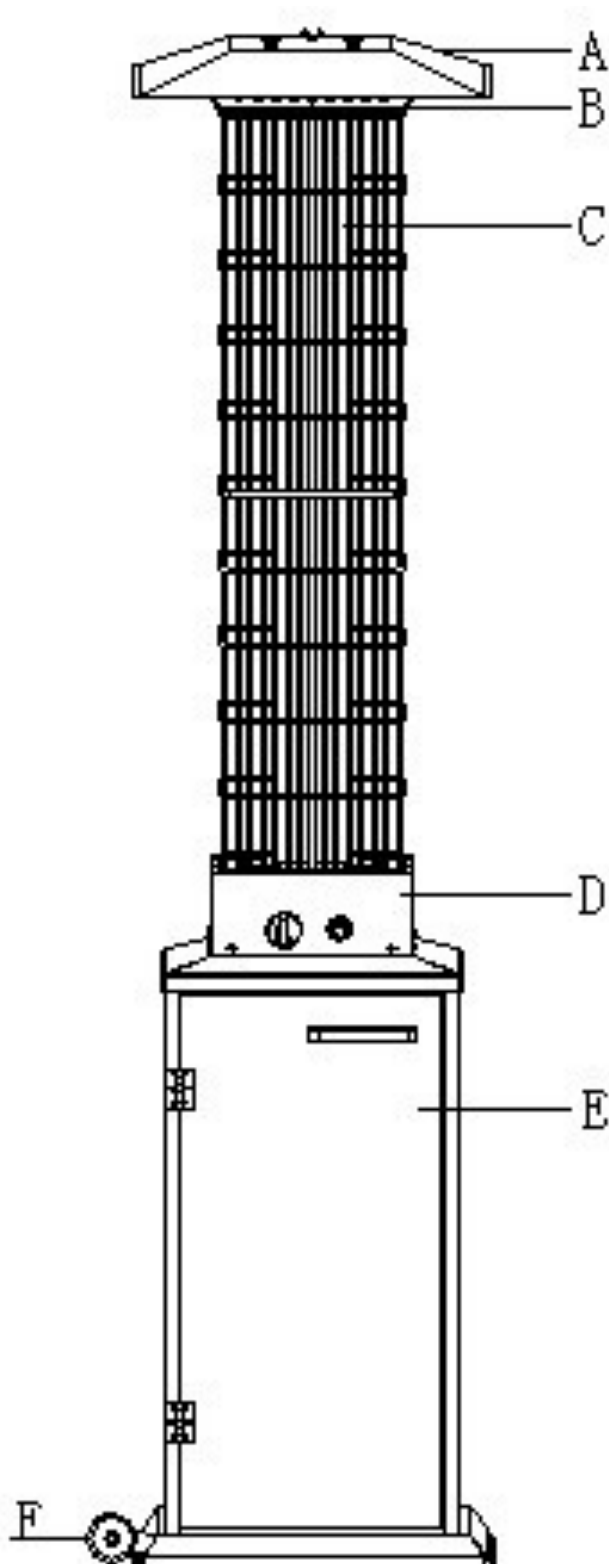
The marking, for example, 1.6 on the injector, indicates that the size of injector is 1.6 mm

- De slang en regelaar moeten voldoen aan plaatselijke voorschriften.
- Uitgaande druk van de regelaar moet overeen komen met de toestel categorie in tabel B. Specificaties.
- Gebruik een goedgekeurde slang van 0,6 m met dit toestel.

Een regelaar (voldoet aan EN16129: 2013 en de nationale regelgeving) van de juiste druk die overeenkomt met de categorie van het toestel.
 Gebruik 30 mbar regulator voor butaan / propaan onder de categorie I3B / P (30). Gebruik 30 mbar regulator voor butaan onder de categorie I3 + (28-30 / 37).
 Gebruik 37 mbar regulator voor propaan onder de categorie I3 + (28-30 / 37). Gebruik 50 mbar regulator voor butaan / propaan onder de categorie I3B / P (50).
 Het wordt aanbevolen om een flexibele slang te gebruiken die is goedgekeurd door EN16436: 2014.



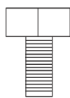
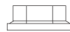



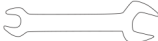



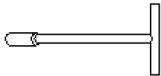
ONDERDELEN LIJST



A	Reflector
B	Bovenplaat
C	Glazen buis
D	Brander
E	Tank
F	Wielen



OVERZICHT ONDERDELEN

AA		Bout M8	2x
BB		Moer M8	2x
CC		Bout M5	8x
DD		Moer M5	12x
EE		Ring Ø6	6x
FF		Moersleutel	1x
GG		Reflector spacer	3x
HH		Vleugelmoer M6	3x
II		Rubber ring	1x
JJ		Moersleutel 8mm	1x



LEKTEST

WAARSCHUWING

Lees de instructies vóór installatie.

WAARSCHUWING

In het geval van een lekkage mag het apparaat niet gebruikt worden. Als het apparaat aan staat, sluit u de gastoevoer en controleert u het toestel voor hernieuwd gebruik.

WAARSCHUWING

De aanbevolen frequentie van het controleren van de slangen of de flexibele slang (ten minste eenmaal per maand en elke keer dat de cilinder wordt vervangen) en de noodzaak van regelmatig wisselen, indien aangegeven op de slang of de flexibele. Als het tekenen van barsten, kloven of andere beschadigingen vertoont, moet het worden vervangen door een nieuwe slang van dezelfde lengte en van dezelfde kwaliteit.

WAARSCHUWING

- 1) Lees de instructies vóór installatie;
- 2) Sluit de gasfles niet zonder regelaar rechtstreeks op het apparaat aan.
- 3) De slangen of de flexibele slang moeten binnen de voorgeschreven intervallen worden vervangen.
- 4) Gebruik alleen het type gas en het type cilinder dat in deze instructies wordt aangegeven.

WAARSCHUWING

Sluit de gasfles niet zonder regelaar aan op het apparaat
Gebruik alleen het type gas en cilinder zoals aangegeven.

WAARSCHUWING

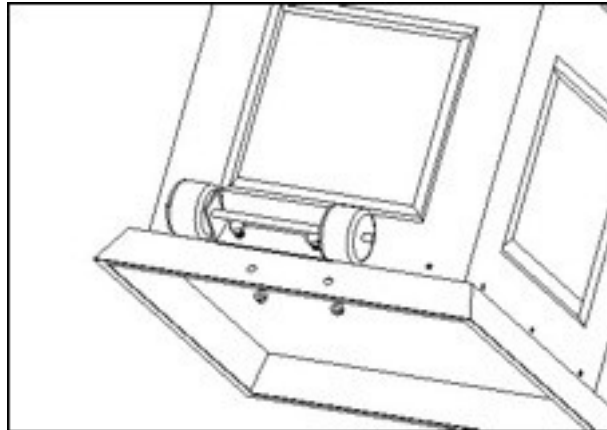
- Wanneer de ontstekingsvlam niet ontsteekt of als deze is gedoofd, zet u de knop op "OFF". Hij moet minstens 5 minuten in de UIT-stand staan voordat opnieuw kan worden gestart met ontsteking. Zorg ervoor dat de besturing op UIT staat voordat u de gaskachel opnieuw inschakelt.
- Laat, als een nieuwe gasfles nieuw is aangesloten, de gaspijlucht minstens een minuut ontsnappen door het ontstekingsvlamgat.
- Zorg ervoor dat bij het ontsteken van de vlam de variabele bediening de hele tijd wordt ingedrukt terwijl de ontstekingsknop wordt ingedrukt. De variabele regeling kan worden vrijgegeven zodra de ontstekingsvlam brandt.
- U kunt de ontstekingsvlam observeren en besturen via het kleine ronde venster met schuifdeksel aan de onderkant van de behuizing.



MONTAGE

Stap 1

Schroef het wiel (M) op het frame, plaats de M8-schroef (1) en schroef op de M8-moer (2).



NOTE

Het bovenste frame moet overeenkomen met het onderste frame. De magneetzijde moet zich aan dezelfde zijde bevinden als de gegroefde zijde.

Stap 2

Monteer de rubberen ring aan het ene uiteinde van de glazen buis.



Stap 3

Monteer het uiteinde van de glazen buis met de rubberen ring op de brander en zet de glazen buis vast.

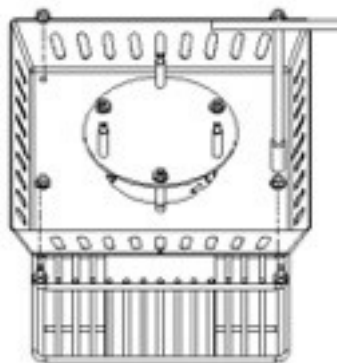




MONTAGE

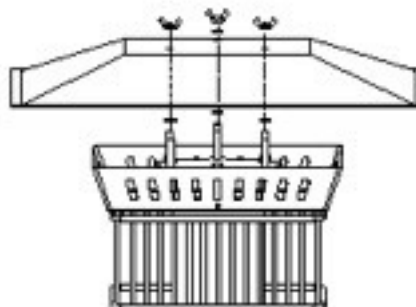
Stap 4

Sluit de buis (F) aan op de brander met 8 3/16 "schroeven (3) en draai alle schroeven vast.



Stap 5

Schroef de reflector (A) vast en draai hem vast, plaats de ring (5) en monteer de reflector (A) met behulp van vleugelmoeren (9).



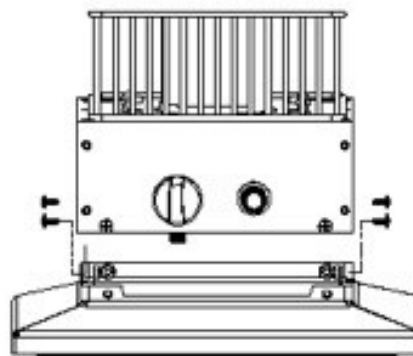
Stap 6

Sluit de brander aan op de tank met behulp van 8 bouten (7) en 8 moeren M5 (4)

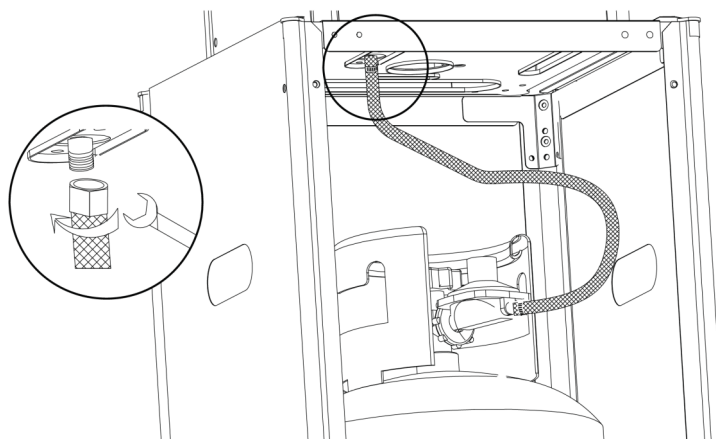
Sluit de gasslang aan op de brander.

Zorg voor een goede positie.

Voer een lekdichtheidstest uit.



De injector die op dit apparaat is bevestigd, is niet bedoeld om te worden verwijderd. De verstuiver is in de fabriek gemonteerd. Het is verboden om dit apparaat van één gasdruk naar een andere druk te veranderen. Sluit de gascilinder niet rechtstreeks op het apparaat aan zonder een regelaar. De flexibele slang moet worden goedgekeurd volgens EN16436: 2014. De regelaar moet voldoen aan de norm EN16129: 2013, de uitlaatdruk van de regelaar moet overeenkomen met de waarden op het typeplaatje. De vervangen regelaar moet minimaal voldoen aan de volgende specificaties volgens de nationale voorschriften.





LEKTEST

WAARSCHUWING

Lektest moet jaarlijks worden uitgevoerd, of telkens wanneer een gasfles aangesloten wordt of een deel van het gassysteem vervangen wordt.

WAARSCHUWING

Gebruik nooit een open vlam om een lektest uit te voeren. Zorg ervoor dat er geen vonken of open vlammen in de buurt zijn wanneer u een lektest uitvoert. Vonken of open vlammen kunnen brand of een explosie veroorzaken, alsmede materiele schade, persoonlijk letsel, of overlijden.

LEKTEST

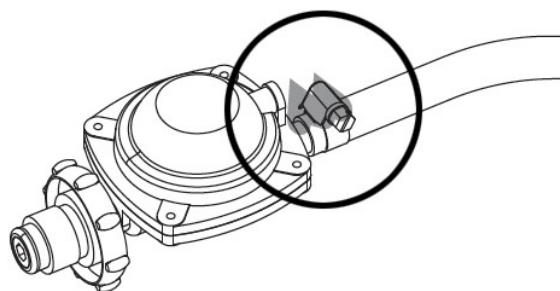


Dit dient te gebeuren voor het eerste gebruik, jaarlijks, en telkens wanneer onderdelen van het gassysteem vervangen of gerepareerd zijn. Niet roken tijdens de lektest. Verwijder alle ontstekingsbronnen. Zie lektestdiagram voor de te testen aansluitingen. Draai branders uit en gastoevoer aan.

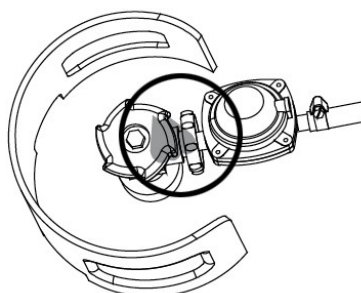
Breng een zeepoplossing aan op alle verbindingen tussen regelaar, slang, ventielen, etc. Zeepbellen markeren een gaslek. Draai de betreffende verbinding aan of vervang het onderdeel door een goedgekeurd reserveonderdeel en laat de heater nakijken door een gecertificeerd installateur.



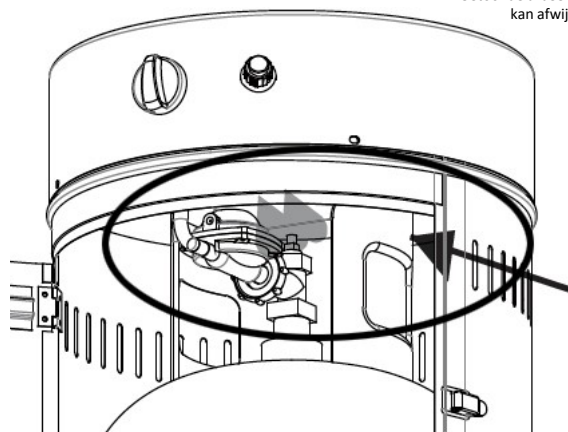
Als het lek niet gedicht kan worden, **gastoevoer onmiddellijk afsluiten en ontkoppelen**. Laat de heater nakijken door de dealer of een gecertificeerd installateur. Gebruik de heater niet voordat het lek is verholpen.



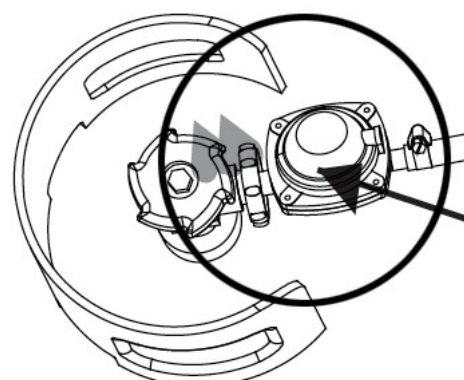
Slang / Gasdrukegelaar



Regelaar / Cylinder aansluiting



Getoonde afbeelding kan afwijken.





CHECKLIST BIJ STORING

PROBLEEM	PROBLEEMOMSCHRIJVING	OPLOSSING
Waakvlam ontvlamt niet	Gasventiel is dicht Gasfles leeg Opening geblokkeerd Lucht in aanvoersysteem Losse verbindingen	Draai het gasventiel open Gasfles bijvullen Schoonmaken of vervangen Laat lucht ontsnappen Controleer verbindingen
Pilot will not stay on	Vuil rond waakvlam Losse verbindingen Thermokoppel slecht Gaslek Onvoldoende druk	Onvoldoende druk Onvoldoende druk Vervang thermokoppel Vervang thermokoppel Gasfles leeg. Bijvullen.
Brander ontvlamt niet	Druk is laag Opening geblokkeerd Schakelaar niet op ON Thermokoppel slecht Valbeveiling kapot Waakvlaminstallatie verbogen Brander niet op juiste plek	Gasfles leeg. Bijvullen. Verwijder en reinig Schakelaar ingedrukt houden en draaien in ON-stand Vervang thermokoppel Vervang valbeveiliging Waakvlaminstallatie corrigeren Plaats juist en probeer opnieuw
Mocht u problemen tegenkomen bij de montage of tijdens gebruik, breng dan geen wijzigingen aan op het apparaat. Neem contact op met uw leverancier of distributeur om het probleem op te lossen.		



GARANTIEKAART



2 jaar beperkte garantie

Vul dit formulier in en stuur het per fax of e-mail naar de onderstaande nummers. Als het product defect blijkt te zijn, stuur het dan samen met het aankoopbewijs terug naar de verkoper.

- Gelieve een scan/kopie van de kassabon bij te voegen.
- Gelieve foto's/afbeeldingen en een beschrijving van het defecte of beschadigde product bij te voegen.

Uw naam:

Adres:

.....

E-mail adres:

Postcode:

Postcode:

Model nummer:

Serie nummer:

(vermeld op het gegevensplaatje op de achterzijde van het apparaat)

Plaats van aankoop:

Datum van aankoop: **Jaar:**

OutTrade B.V.
De Grift 1
7711 EP Nieuwleusen
The Netherlands

Tel: +31-529—48 28 08
Fax: +31-529—48 49 10

info@outtrade.eu
www.outtrade.eu

Beschrijf het defect:



EU-CONFORMITEITSVERKLARING		
We,	OutTrade B.V. De Grift 1 7711 EP Nieuwleusen	
Hierbij verklaren we dat het hieronder beschreven product:		
Merk en modelnaam:	Sunred	FT17G Series
Classificatie van het apparaat:	Outdoor Patio Gas Heater	
voldoet aan de volgende normen en richtlijnen:		
Standard	Met betrekking tot (2009/142/EC) EN 14543+A1:2007 CE 0063	
Ik verklaar hierbij dat bovengenoemd apparaat ontworpen werd om te voldoen aan de relevante paragrafen van de hierboven vermelde normen en om te voldoen aan de essentiële eisen van de bovengenoemde richtlijnen		
Ondertekend door: R. Dijkman	Handtekening:	
Positie: Managing Director		
Plaats: Nieuwleusen, The Netherlands	Date van afgifte:	Nieuwleusen, 09/07/2019



OutTrade BV

De Grift 1—7711 EP Nieuwleusen

Tel: +31 (0)529-482808

Fax: +31 (0)529-484910

Email: info@outtrade.eu

Website: www.outtrade.eu



Bedienungsanleitung - Bitte bewahren Sie diese für zukünftige Verwendung

DE Gas Patio Heater

WARNUNG

Die Verwendung in geschlossenen Räumen kann gefährlich sein und ist VERBOTEN

WARNUNG

Lesen Sie die Anweisungen vor der Installation.

WICHTIG

Entfernen Sie vorsichtig die Verpackung vor dem Gebrauch, aber behalten Sie die Sicherheitshinweise. Diese Anweisungen sind Teil des Produkts. Bitte beachten Sie alle Sicherheits-Warnung in dieser Anleitung aufgeführt. Bitte lesen Sie diese Anleitung vollständig durch und bewahren Sie sie für zukünftige Referenz. Diese Anweisungen sollten mit dem Produkt gespeichert werden. Dieses Produkt ist nur für den Hausgebrauch und soll nicht kommerziell oder für Vertrag Zwecke verwendet werden.





ACHTUNG: SICHERHEITSVORSCHRIFTEN
BITTE LESEN SIE DIE SICHERHEITSVORSCHRIFTEN BEVOR SIE DIE HEIZUNG VERWENDEN
FÜR IHRE SICHERHEIT

BEI GASGERUCH:

Bei Gasgeruch:

1. Gaszufuhr abschalten.
2. Offene Flammen löschen.
3. Bei anhaltendem Geruch, sofort Ihren Gaslieferanten oder die Feuerwehr anrufen.

FÜR IHRE SICHERHEIT

1. Kein Benzin oder andere brennbare Gase und Flüssigkeiten in der Nähe dieses oder anderer Geräte lagern.
2. Eine nicht angeschlossene Gasflasche nicht in der Nähe dieses oder anderer Geräte lagern.

WARNUNG

- 1) Nur geeignet für den Einsatz im Freien oder in gut belüfteten Bereichen.
- 2) In einem gut belüfteten Raum ist mindestens 25% der umliegenden Seiten geöffnet. (Fig. 2)
- 3) Die umliegende Seiten sind die Summe der Wandoberflächen.

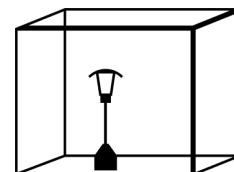


Fig. 2

WARNUNG

Unsachgemäße Installation, Einstellung, Veränderung, Service oder Wartung kann zu Verletzungen führen oder Sachschäden verursachen. Lesen Sie die Installations-, Betriebs- und Wartungsanweisungen gründlich vor der Installation oder Wartung dieses Geräts.

WARNUNG

Lesen Sie die Anweisungen vor der Installation und Verwendung.

- Do not obstruct the ventilation holes of the cylinder housing;
- Diese Gerät muss installiert und die Gasflasche gespeichert sein in Übereinstimmung mit den geltenden Vorschriften.
- Die Belüftungslöcher der Gasflaschenbehäusung nicht abdecken.
- Während des Gebrauchs das Gerät nicht bewegen.
- Das Ventil an der Gasflasche oder am Regler schließen, bevor Sie das Gerät bewegen;
- Die Rohrleitung oder der flexible Schlauch muss innerhalb der vorgeschriebenen Intervallen geändert werden.
- Verwenden Sie nur Gas und Gasflaschen die vom Hersteller vorgeschrieben worden sind.
- Die verwendete Gasflasche soll die folgenden Anforderungen erfüllen: Durchmesser 30,5cm, Höhe 57,1cm, maximale Kapazität 23kg.
- Achten Sie bei starkem Wind darauf, dass das Gerät nicht umkippt.



Inhaltverzeichnis

Achtung	36
Positionierung der Heizung	39
Gasanforderungen	40
Betrieb und Lagerung	40
Reinigung und Pflege	40
Teile und Daten	43
Montage: Teile und Schritte	44
Dichtigkeitsprüfung	49
Checkliste bei Störungen	50





ACHTUNG: SICHERHEITSVORSCHRIFTEN **BITTE LESEN SIE DIE SICHERHEITSVORSCHRIFTEN BEVOR SIE DIE HEIZUNG VERWENDEN**

Bitte lesen Sie die folgenden Sicherheitshinweise vor dem Betrieb.

Verwenden Sie die Heizung nur im Außenbereich. Verwendung in Innenbereichen kann Verletzungen oder Sachschäden verursachen und ist verboten.

Die Heizung darf nicht auf Freizeitfahrzeugen oder Booten verwendet werden.

Installation und Reparatur sollte von einem qualifizierten Servicetechniker durchgeführt werden.

Unsachgemäße Installation, Einstellung, oder Veränderung kann zu Verletzungen oder Sachschäden führen.

Versuchen Sie nicht, das Gerät in irgendeiner Weise zu verändern.

Ersetzen Sie den Regler nur mit einem vom Hersteller empfohlenen Regler.

Bewahren Sie keinen Benzin oder andere brennbare Gase oder Flüssigkeiten in der Heizung.

Der gesamte Gassystem (Schlauch, Regler, Sparflamme oder Brenner) müssen auf Undichtigkeiten oder Beschädigung geprüft werden vor dem Gebrauch, und mindestens einmal pro Jahr von einem qualifizierten Servicetechniker.

Alle Dichtigkeitsprüfungen sollten mit einer Seifenlösung durchgeführt werden. Niemals eine offene Flamme zur Dichtigkeitsprüfung verwenden.

Verwenden Sie die Heizung nicht bis alle Anschlüsse auf Leckagen geprüft worden sind.

Schalten Sie die Gaszufuhr sofort aus, wenn Gasgeruch festgestellt wird. Drehen Sie das Ventil der Gasflasche vollständig offen.

Falls sich das Leck bei der Regler-Schlauch-Verbindung befindet: Verbindung festziehen und eine weitere Dichtigkeitsprüfung durchführen. Wenn weiterhin Blasen erscheinen: bringen Sie den Schlauch zurück zur Einkaufsstelle. Falls sich das Leck bei der Regler-Gasflaschenventil-Verbindung befindet: trennen, erneut anschließen, und nochmals Dichtigkeitsprüfung durchführen.

Wenn nach wiederholtem Versuchen weiterhin Blasen erscheinen: das Gasflaschenventil ist defekt. Bringen Sie die Gasflasche zurück zur Einkaufsstelle.

Transportieren Sie die Heizung nicht, während sie in Betrieb ist.

Bewegen Sie die Heizung gleich nach dem Ausschalten nicht; warten Sie bis die Heizung abgekühlt ist.

Halten Sie die Belüftungslöcher der Gasflaschenbehälter frei und sauber.

Gitter, Glas, Bedienfeld und Reflektorschirm dürfen nicht gestrichen werden.

Bedienfeld, Brenner und Luftdurchgänge der Heizung müssen sauber gehalten werden. Regelmäßige Reinigung kann erforderlich sein.

Die Gasflasche soll zugedreht sein, wenn die Heizung nicht in Betrieb ist.

Überprüfen Sie Die Heizung sofort, wenn eines der folgenden Ereignisse eintritt:

WARNUNG

Der Benutzer trägt alle Risiken für die Montage und den Betrieb des Gasheizgeräts. Das Nichtbeachten der Warnungen und Anweisungen dieses Handbuchs kann zu schweren Körperverletzungen, zum Tod oder zu Sachschäden führen. Wenn Sie diese Bedienungsanleitung nicht lesen oder nicht vollständig verstehen, wenden Sie sich an Ihren Fachhändler. Der Hersteller oder Lieferant übernimmt keine Haftung für fahrlässiges Benutzerverhalten.

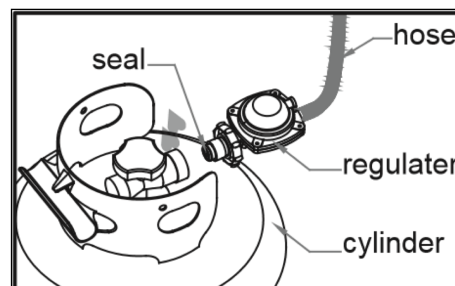
HAFTUNG

Wenn die Anweisungen und Informationen in diesem Handbuch nicht befolgt werden oder bei unsachgemäßer Verwendung außerhalb des bestimmungsgemäßen Gebrauchs, lehnt der Hersteller jede Haftung für Produktschäden ab.

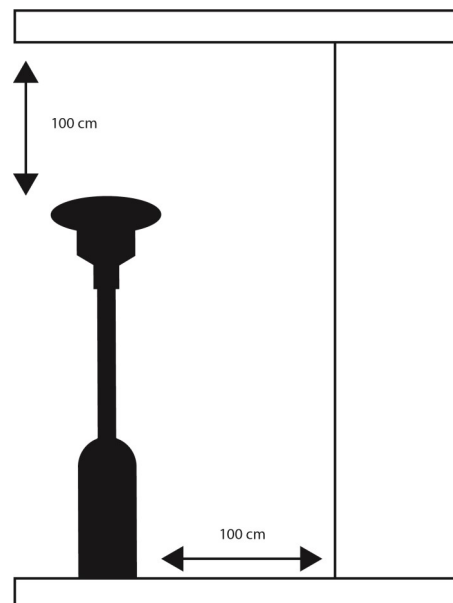


ACHTUNG: SICHERHEITSVORSCHRIFTEN BITTE LESEN SIE DIE SICHERHEITSVORSCHRIFTEN BEVOR SIE DIE HEIZUNG VERWENDEN

- Die Heizung erreicht nicht die gewünschte Temperatur.
- Der Brenner macht Knackgeräusche während des Gebrauchs (ein leises Geräusch ist normal, wenn der Brenner erlischt).
- Gasgeruch kombiniert mit extrem gelben Kippen der Brennerflammen. Der Regler/Schlauch sollte sich außerhalb jeglicher Gehwege befinden, damit Personen nicht über sie stolpern, oder andere versehentliche Beschädigungen nicht auftreten.
- Zur Wartung entfernte Schutzvorrichtungen müssen wieder angebracht werden bevor die Heizung verwendet wird.
- Erwachsene und Kinder sollten von heißen Oberflächen wegbleiben um Verbrennungen oder Kleidungsanzündung zu vermeiden.
- Kinder sollten sorgfältig überwacht werden, wenn sie im Bereich der Heizung sind.
- Bekleidung oder andere brennbare Materialien nicht über die Heizung hängen oder in der Nähe der Heizung platzieren.
- Das Ändern der Gasflasche soll in einem gut belüfteten Raum geschehen, weg von jeder Entzündungsquelle (Kerzen, Zigaretten, andere Gasgeräte, usw). Überprüfen Sie, ob das Klempnerband am Regler richtig angebracht ist und ihre Funktion erfüllen kann (siehe Abbildung rechts).
- Bedecken Sie nicht die Belüftungsöffnungen des Gasflaschengehäuses.
- Schließen Sie nach Gebrauch die Gaszufuhr am Ventil der Gasflasche oder am Regler.
- Im Falle eines Gaslecks darf das Gerät nicht benutzt werden. Wenn es benutzt wird, gleich Gaszufuhr abschalten und Gerät untersuchen bevor es wieder verwendet wird.
- Überprüfen Sie den Schlauch mindestens einmal monatlich; jedes Mal beim Ersetzen der Gasflasche, oder wenn das Gerät längere Zeit nicht benutzt worden ist.
- Wenn es Anzeichen von Rissen, Spalten oder anderer Verschlechterung gibt, soll der Schlauch ersetzt werden mit einem Schlauch der gleichen Länge und Qualität.
- Die Verwendung dieses Geräts in geschlossenen Bereichen kann gefährlich sein und ist nicht zugelassen.
- Lesen Sie die Anweisungen, bevor Sie das Gerät benutzen. Das Gerät muss in Übereinstimmung mit den Anweisungen und lokalen Vorschriften installiert werden.
- Zum Anschluss von Schlauch und Regler schauen Sie bitte auf die Abbildung oben.



Seal	Siegel
Hose	Schlange
Regulator	Regulator anschluss
Cylinder	Zylinder anschluss



Product model may vary

Der Mindestabstand muss 100 cm betragen

POSITIONIERUNG DER HEIZUNG

Die Heizung ist nur zum Gebrauch im Außenraum. Achten Sie immer auf eine ausreichende Frischluftzufuhr.

Achten Sie immer darauf, dass es genügend Abstand gibt zu ungeschützten, brennbaren Materialien (oben 100cm, seitlich mindestens 100cm).

Die Heizung muss auf einen stabilen und flachen Untergrund gestellt werden. Heizung niemals in explosiver Umgebung verwenden, wie in Bereichen, in denen Benzin oder andere brennbare Flüssigkeiten oder Gase gelagert werden.

Um das Gerät vor starkem Wind zu schützen soll die Heizung an den Boden verschraubt werden.



ACHTUNG: SICHERHEITSVORSCHRIFTEN BITTE LESEN SIE DIE SICHERHEITSVORSCHRIFTEN BEVOR SIE DIE HEIZUNG VERWENDEN

GASANFORDERUNGEN

- Verwenden Sie ausschließlich Propan, Butan oder deren Gemische.
- Der Druckregler und die Schlauchleitung muss die örtlichen Richtlinien erfüllen.
- Die Installation muss, falls vorhanden, den örtlichen Richtlinien entsprechen, oder ansonsten den Normen zur Lagerung und zum Gebrauch von flüssigen Gasen.
- Eine verbeulte, verrostete oder beschädigte Gasflasche ist gefährlich und sollte von Ihrem Lieferanten überprüft werden. Verwenden Sie niemals eine Propan-Gasflasche mit beschädigtem Ventil
- Die Gasflasche muss so angeordnet sein, dass Gas austreten kann.
- Verbinden Sie nie eine Gasflasche ohne Regler an die Heizung.

DICHTIGKEITSPRÜFUNG

- Gasanschlüsse an der Heizung werden in der Fabrik vor dem Versand auf Dichtigkeit geprüft. Der Benutzer soll eine vollständige Gasdichtigkeitsprüfung durchführen wegen eventuellen Schäden beim Transport.
- Machen Sie eine Seifenlösung aus einem Teil flüssiges Reinigungsmittel und einem Teil Wasser. Die Seifenlösung kann mit einer Sprühflasche, einem Pinsel oder Lappen angebracht werden. Seifenblasen werden im Falle eines Lecks auftreten.
- Das Heizgerät muss mit einer vollen Gasflasche überprüft werden.
- Achten Sie darauf, dass der Sicherheitsschalter im OFF-Stand steht.
- Drehen Sie die Gaszufuhr auf.
- Im Falle einer Leckage schließen Sie die Gaszufuhr. Drehen Sie undichte Anschlüsse an, öffnen Sie die Gaszufuhr, und überprüfen Sie erneut.
- Rauchen während einer Dichtigkeitsprüfung ist verboten.

WARNUNG

Nehmen Sie auf keinen Fall, Änderungen am Gerät vor. Falsche Installation, unsachgemäße Verwendung, Änderungen oder Modifikationen am Gerät können Verletzungen oder Beschädigungen verursachen.
Hersteller und Importeur akzeptieren dafür Keine Verantwortung.

WARNUNG

Wenn sich die Zündflamme nicht entzündet oder gelöscht wurde, drehen Sie den Knopf auf "OFF". • Der Steuervorgang muss mindestens 5 Minuten lang in der OFF-Position sein, bevor die Zündung neu gestartet werden kann. Stellen Sie sicher, dass die Steuerung ausgeschaltet ist, bevor Sie das Gasheizgerät wieder einschalten.

- Wenn eine neue Gasflasche neu angeschlossen wird, lassen Sie die Luft der Gasleitung mindestens eine Minute lang durch die Zündöffnung entweichen.
- Stellen Sie beim Zünden der Flamme sicher, dass der variable Regler die ganze Zeit gedrückt ist, während der Zündknopf gedrückt wird. Die variable Regelung kann freigegeben werden, sobald die Zündflamme brennt.
- Sie können die Zündflamme durch das kleine runde Fenster mit Schiebedeckel am unteren Rand des Strahlungsschattens beobachten und steuern. Die Zündflamme kann auch mit einem Streichholz gezündet werden. Schieben Sie den Schiebedeckel zur Seite, um die Zündflamme mit einem Streichholz durch das Loch zu zünden.



ACHTUNG: SICHERHEITSVORSCHRIFTEN
BITTE LESEN SIE DIE SICHERHEITSVORSCHRIFTEN BEVOR SIE DIE HEIZUNG VERWENDEN

HEIZUNG EINSCHALTEN

1. Kontrollschalter eindrücken und im Uhrzeigersinn in die OFF-Position drehen.
2. Drehen Sie das Ventil der Gasflasche vollständig auf.
3. Kontrollschalter eindrücken und gegen den Uhrzeigersinn in die IGNITE-Position drehen, dann in die PILOT Position (Sie hören zweimal ein Klicken).
4. Bei entzündeter Sparflamme Kontrollschalter 30 Sekunden eingedrückt halten.

NOTE

Falls die Sparflamme nicht entzündet, Kontrollschalter in OFF-Position drehen, Ventil an der Gasflasche zudrehen, 5 Minuten warten und Schritte 2-4 wiederholen.

NOTE

Falls die Sparflamme entzündet doch erlischt, Kontrollschalter in OFF-Position drehen, Ventil an der Gasflasche zudrehen, 5 Minuten warten und Schritte 2-3 wiederholen. Verwenden Sie dann einen Anzünder zum Entzünden der Sparflamme durch das Zündloch. Bei entzündeter Sparflamme Kontrollschalter 30 Sekunden eingedrückt halten.

5. Nachdem der Kontrollschalter 30 Sekunden eingedrückt wurde, Schalter in LOW-Position drehen. Für höhere Temperaturen Richtung HIGH-Position drehen.

WARNUNG

Überprüfen Sie vor dem Gebrauch ob das Glas nicht beschädigt ist.

DIE HEIZUNG AUSSCHALTEN

1. Drehen Sie das Ventil an der Gasflasche vollständig zu.
2. Drehen Sie den Kontrollschalter in die OFF-Position.

LAGERUNG

1. Drehen Sie das Ventil der Gasflasche immer nach dem Gebrauch oder bei einer Fehlfunktion zu.
2. Trennen Sie Druckregler und Schlauch vom Gerät.
3. Überprüfen Sie die Dichtigkeit des Gasventils, und eventuelle andere Schäden. Bei Vermutung jeglicher Schäden lassen Sie die Gasflasche vom Lieferanten ersetzen.
4. Lagern Sie eine Gasflasche nie in einem Keller oder an einem anderen Ort mit unzureichender Belüftung.

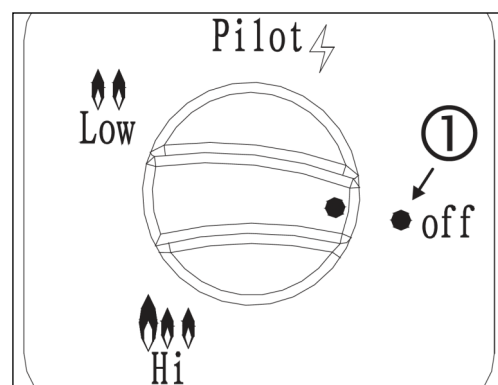
REINIGUNG UND PFLEGE

- Wischen Sie die pulverbeschichteten Oberflächen mit einem weichen, feuchten Tuch ab. Reinigen Sie die Heizung nicht mit brennbaren oder ätzenden Reinigungsmitteln.
- Entfernen Sie Schmutz aus dem Brenner, um ihn sauber und sicher für den Einsatz zu halten.
- Decken Sie die Brenneinheit mit der optionalen Schutzabdeckung zu, wenn die Heizung nicht in Betrieb ist.

Aus: Die Heizung funktioniert nicht mehr

Hi: Maximale Temperaturposition

Lo: Minimale Temperaturposition



Kontrollschalter

Entzündler



ACHTUNG: SICHERHEITSVORSCHRIFTEN
BITTE LESEN SIE DIE SICHERHEITSVORSCHRIFTEN BEVOR SIE DIE HEIZUNG VERWENDEN

WÄHREND LÄNGERER INAKTIVITÄT ODER BEIM TRANSPORT:

- Während längerer Inaktivität oder beim Transport:
- Drehen Sie den Regler in die Position „OFF“.
- LPG-Flasche abklemmen und an einen sicheren, gut belüfteten Ort im Freien bringen. NICHT lagern in einem Ort, der 50 ° C überschreitet.
- Lagern Sie das Heizgerät aufrecht an einem wettergeschützten Ort (z. B. Regen, Schneeregen, Hagel, Schnee).
- Decken Sie das Heizgerät auf Wunsch ab, um die Außenflächen zu schützen und zu verhindern, dass sich Staub und Schmutz in den
- Luftkanälen ansammeln.

WARNUNG

- Heizgerät nach Gebrauch mindestens 45 Minuten lang NICHT berühren oder bewegen.
- Lassen Sie alle Brennelemente abkühlen, bevor Sie sie berühren

NOTE

In einer salzhaltigen Umgebung (z. B. in der Nähe eines Ozeans) tritt Korrosion schneller als normal auf

- Prüfen Sie regelmäßig auf korrodierte Stellen und reparieren Sie diese umgehend.
- Vor dem Abdecken warten, bis das Heizgerät abgekühlt ist.



UNTERTEILEN UND SPEZIFIKATIONEN

A. Konstruktionen und Eigenschaften

- Versetzbare Terrassenheizung mit Gehäuse
- Gehäuse aus Stahl mit Pulverbeschichtung oder in Edelstahl.
- Gasschlauchverbindungen mit Metallschelle (Schraubkappen für Deutschland). Wärmeabgabe vom Reflektor.

B. Specifications

- Verwenden Sie ausschließlich Propan, Butan oder deren Gemische.
- Max. wattage: 11000 Watt
- Min. wattage: 5000 Watt
- Verbrauch

APPLIANCE CATEGORY:	I3+(28-30/37)		I3B/P(30)	I3B/P(50)
TYPES OF GAS:	Butane	Propane	Butane, propane or their mixtures	Butane, propane or their mixtures
GAS PRESSURE	28-30 mbar	37 mbar	30 mbar	50 mbar
OUTLET PRESSURE OF REGULATOR:	30 mbar	30 mbar	30 mbar	50 mbar

Verwenden Sie den richtigen Regler entsprechend dem Ausgangsdruck des Reglers, wie in der obigen Tabelle gezeigt.

C. Tabelle der Einspritzdüse

APPLIANCE CATEGORY:	I3+(28-30/37)		I3B/P(30)	I3B/P(50)
TYPES OF GAS:	Butane	Propane	Butane, propane or their mixtures	Butane, propane or their mixtures
GAS PRESSURE	28-30 mbar	37 mbar	30 mbar	50 mbar
TOTAL HEAT INPUT	11 kW (800 g/h)			
INJECTOR SIZE	1.6 mm for main burner 0.18 mm for pilot burner		1.4 mm for main burner 0.18 mm for pilot burner	

Die Markierung, zum Beispiel 1.6 auf dem Injektor, zeigt an, dass die Größe des Injektors 1,6 mm beträgt

- Schlauch und Regler müssen den örtlichen Vorschriften entsprechen.
- Ausgangsdruck des Reglers sollte der Gerätekategorie in Tabelle B. Spezifikationen entsprechen
- Das Gerät erfordert einen geprüften, 1,4 Meter langen Schlauch.

Ein Regler (entspricht EN16129: 2013 und der nationalen Vorschrift), der den korrekten Druck für die Gerätekategorie angibt.

Verwenden Sie einen 30-mbar-Regler für Butan / Propan der Kategorie I3B / P (30). Verwenden Sie einen 30-mbar-Regler für Butan der Kategorie I3 + (28-30 / 37).

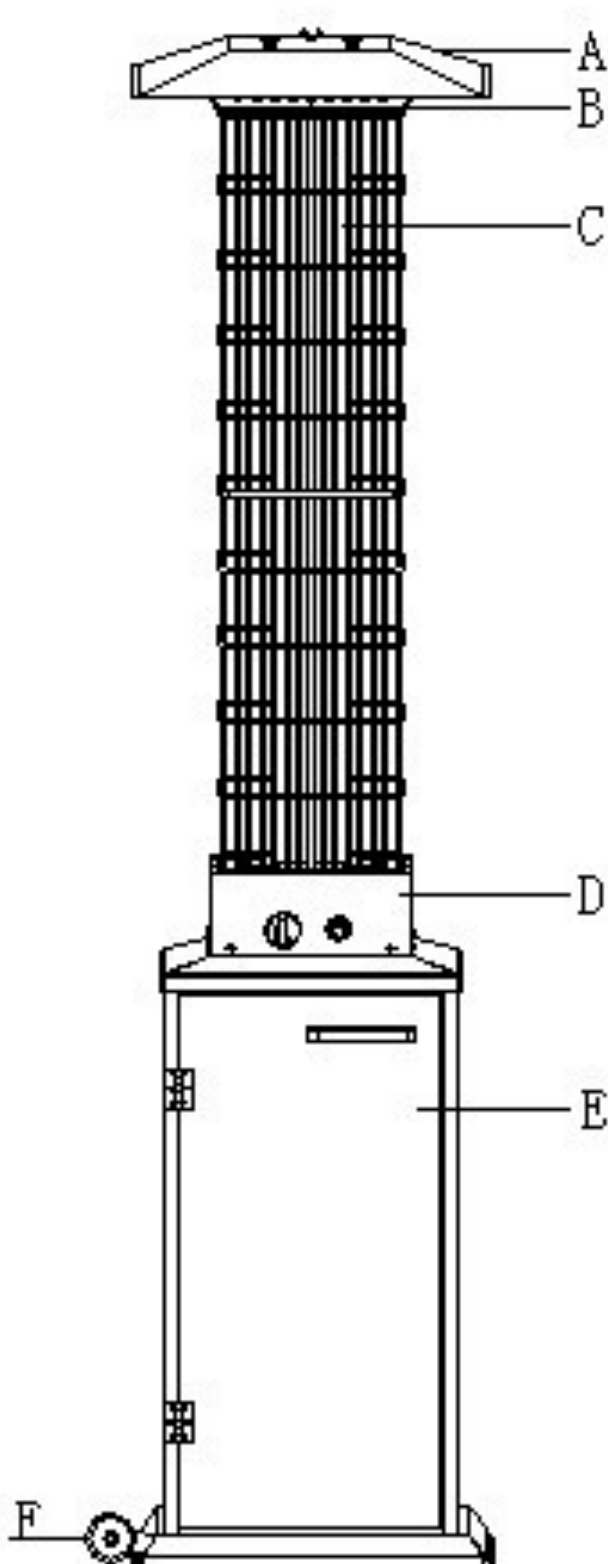
Verwenden Sie einen 37-mbar-Regler für Propan der Kategorie I3 + (28-30 / 37).

Verwenden Sie einen 50-mbar-Regler für Butan / Propan der Kategorie I3B / P (50).

Es wird empfohlen, einen flexiblen Schlauch zu verwenden, der nach EN16436: 2014 zugelassen ist.



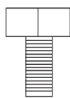





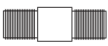


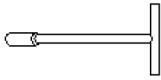
TEILELISTE



A	Reflektor
B	Obere Platte
C	Glasrohr
D	Brenner-Baugruppe
E	Behälter
F	Räder



TEILELISTE

AA		Schraube M8	2x
BB		Mutter M8	2x
CC		Schraube M5	8x
DD		Mutter M5	12x
EE		Unterlegscheibe Ø6	6x
FF		Schlüssel	1x
GG		Reflektorabstützung	3x
HH		Flügelmutter M6	3x
II		Gummiring	1x
JJ		Schlüssel 8mm	1x



DICHTIGKEITSPRÜFUNG

WARNUNG

Lesen Sie die Anweisungen vor der Installation.

WARNUNG

Das Gerät darf im Falle einer Undichtigkeit nicht verwendet werden. Wenn das Gerät eingeschaltet ist, schließen Sie die Gasversorgung und überprüfen Sie das Gerät auf Wiederverwendung.

WARNUNG

Die empfohlene Häufigkeit der Überprüfung der Schläuche oder des flexiblen Schlauchs (mindestens einmal im Monat und jedes Mal, wenn der Zylinder ausgetauscht wird) und die Notwendigkeit eines regelmäßigen Wechsels, sofern dies auf dem Schlauch oder dem flexiblen Schlauch angegeben ist. Wenn es Anzeichen von Rissen, Rissen oder anderen Beschädigungen aufweist, muss es durch einen neuen Schlauch gleicher Länge und Qualität ersetzt werden.

WARNUNG

- 1) Lesen Sie die Anweisungen vor der Installation;
- 2) Schließen Sie die Gasflasche nicht ohne Regler direkt an das Gerät an.
- 3) Die Schläuche oder der flexible Schlauch müssen innerhalb der vorgeschriebenen Intervalle ausgetauscht werden.
- 4) Verwenden Sie nur den in dieser Anleitung angegebenen Gastyp und Flaschentyp.

WARNUNG

Schließen Sie die Gasflasche nicht ohne Regler an das Gerät an
Verwenden Sie nur den angegebenen Gas- und Flaschentyp.



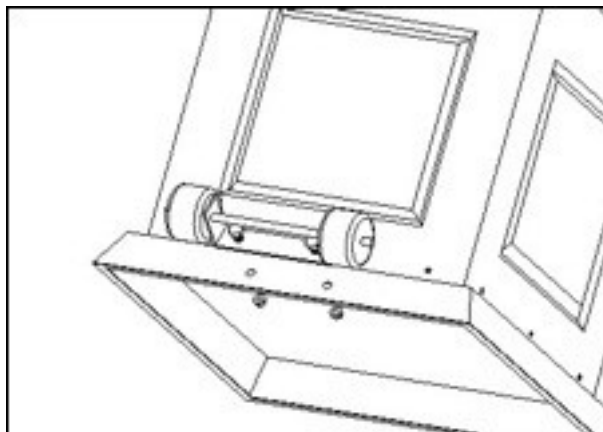
MONTAGE

Step 1

1. Das Rad (M) am Gestell anschrauben, die Schraube M8 (1) einlegen und die Mutter M8 (2) aufschrauben.

NOTE

The top frame must match the bottom frame. The magnet side must be on the same side as the grooved side.



Step 2

An einem Ende des Glasrohres den Gummiring montieren.



Step 3

Das Ende des Glasrohres mit dem Gummiring auf dem Brenner montieren und das Glasrohr befestigen.

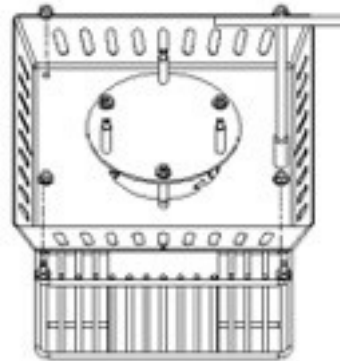




MONTAGE

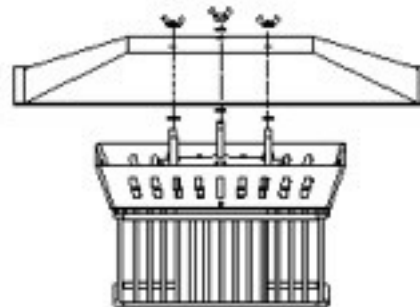
Step 4

Das Rohr (F) an Brenner mit 8 Schrauben 3/16" (3) anschließen und alle Schrauben anziehen.



Step 5

Den Reflektor (A) anschrauben und nachziehen, die Unterlegscheibe (5) einlegen und den Reflektor (A) mithilfe von Flügelmuttern (9) montieren.



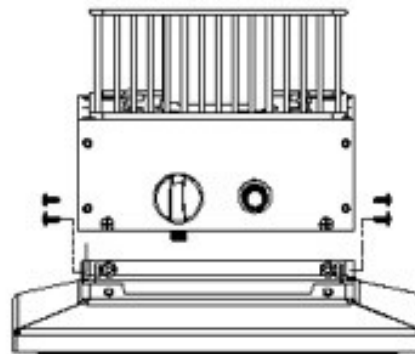
Step 6

Den Brenner an den Behälter mithilfe von 8 Schrauben (7) und 8 Muttern M5 (4) anschließen.

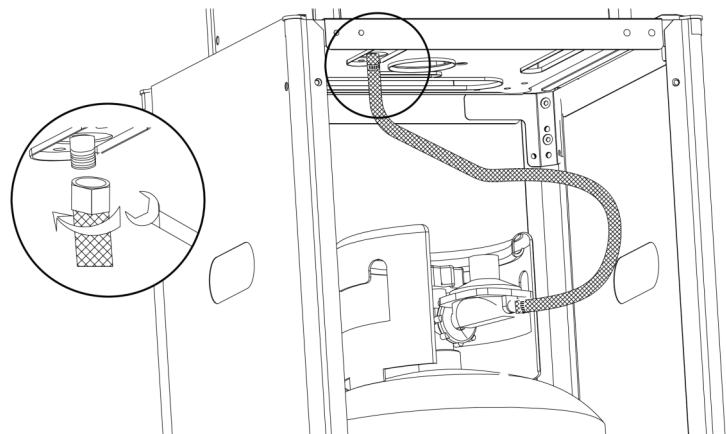
Schließen Sie den Gasschlauch an den Brenner an.

Stellen Sie eine gute Position sicher.

Führen Sie eine Dichtheitsprüfung durch.



Der an diesem Gerät angebrachte Injektor darf nicht entfernt werden. Der Injektor ist werkseitig montiert. Es ist verboten, dieses Gerät von einem Gasdruck auf einen anderen umzustellen. Schließen Sie die Gasflasche nicht ohne Regler direkt an das Gerät an. Der flexible Schlauch muss gemäß EN16436: 2014 zugelassen sein. Der Regler muss der Norm EN16129: 2013 entsprechen, der Ausgangsdruck des Reglers muss den Werten auf dem Leistungsschild entsprechen. Die ausgetauschte Steuerung muss mindestens die folgenden Spezifikationen gemäß den nationalen Vorschriften erfüllen.





DICHTIGKEITSPRÜFUNG

WARNUNG

Eine Dichtigkeitsprüfung soll jährlich ausgeführt werden, und jeweils wenn eine neue Gasflasche angeschlossen wird, oder ein Teil des Gassystems ersetzt wird.

WARNUNG

Verwenden Sie nie eine offene Flamme zum Ausführen der Dichtigkeitsprüfung. Stellen Sie auch sicher, dass sich keine Funken oder offene Flammen in der Nähe befinden. Funken oder offene Flammen können Brand oder eine Explosion zur Folge haben; diese können Schäden, Verletzungen oder Tod verursachen.

DICHTIGKEITSPRÜFUNG

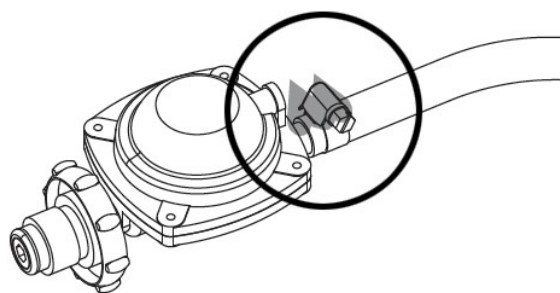


Soll vor Gebrauch, jährlich, und nach dem Ersetzen oder Reparieren jeglicher Teile des Gassystems ausgeführt werden. Nicht rauchen während der Prüfung. Entfernen Sie alle Zündquellen. Im Dichtigkeitsprüfungsdiagramm werden alle Verbindungen beschrieben die kontrolliert werden müssen. Schalten Sie alle Brennerschalter aus. Drehen Sie das Ventil Gasflasche auf.

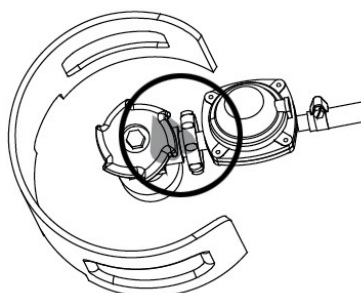
Streichen oder spritzen Sie die Seifenlösung auf alle Verbindungen zwischen Regler, Schlauch, Ventil, usw. Blasen markieren eine Leckage. Drehen Sie die Verbindung fester an, oder ersetzen Sie den Teil mit einem vorgeschriebenen Ersatzteil. Lassen Sie das Gerät überprüfen von einem zertifizierten Gastechniker.



Wenn die Leckage nicht abgedichtet werden kann, schalten Sie die Gaszufuhr sofort ab, trennen Sie diese, und lassen Sie das Gerät überprüfen von einem zertifizierten Gastechniker oder dem Lieferanten. Verwenden Sie das Heizgerät nicht bevor die Leckage abgedichtet worden ist.

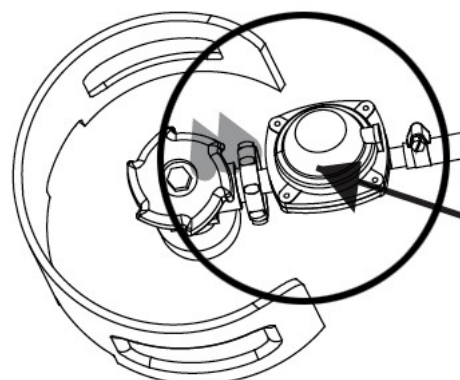
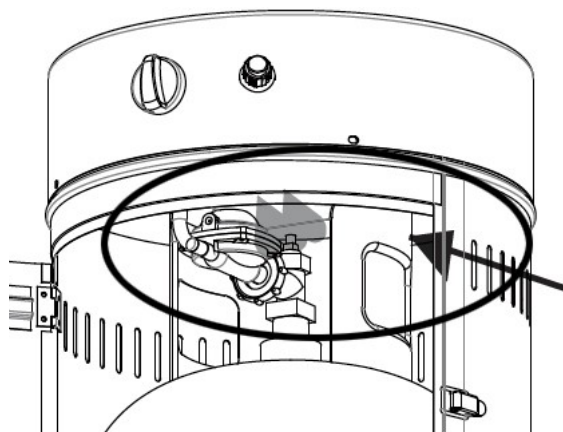


Schlange / regulator anschluss



Schlange / Zylinder anchluss

Bei dem Produkt kann es zu Abweichungen kommen





CHECKLISTE BEI STÖRUNGEN

PROBLEM	MÖGLICHE URSACHE	LÖSUNG
Zündflamme zündet nicht	Gas Ventill kann zuge dreht sein Gasflasche leer Öffnung blockiert Luft in Leitungen Lockere Anschlüsse	Gasventil aufdrehen Gasflasche nachfüllen Öffnung säubern oder ersetzen Luft vertreiben Anschlüsse überprüfen
Zündflamme bleibt nicht an	Schmutz rundum Sparflamme Lockere Anschlüsse Thermoelement schlecht Gasleckage Gasdruck zu niedrig	Verschmutzte Stelle reinigen Anschlüsse anziehen Thermoelement ersetzen Anschlüsse überprüfen Gasflasche leer. Nachfüllen
Brenner erslicht	Gasdruck niedrig Öffnung blockiert Schalter nicht aufgedreht Thermoelement schlecht Sparflammeneinheit gebogen Brenner falsch positioniert	Gasflasche leer. Nachfüllen Entfernen und reinigen Schalter aufdrehen Thermoelement ersetzen Richtig positionieren Richtig positionieren
<p>Versuchen Sie bei Störungen bei der Montage oder der Verwendung nicht selbst das Gerät auf irgendeiner Weise zu ändern; bringen Sie die Heizung zu Ihren Lieferanten oder Händler um das Problem zu lösen.</p>		



GARANTIEKARTE



2 Jahre eingeschränkte Garantie

Füllen Sie bitte das vorliegende Formular aus und senden Sie es per E-Mail oder Fax an die unten angegebenen Nummern. Sollte sich das Produkt als mangelhaft erweisen, geben Sie es an den Verkäufer zurück, samt dem Einkaufsnachweis.

- Legen Sie bitte Scan/Kopie der Kaufrechnung bei.
- Fügen Sie bitte Fotos/ Bilder und Beschreibung des mangelhaften oder beschädigten Produkts.

Ihr Name:

Adresse:

E-mail-Adresse:

Postleitzahl:

Product name:

Modellnummer:

Seriennummer:

(ist auf dem Typenschild auf der Rückseite des Geräts zu finden)

Einkaufsdatum:

Datum:

Jahr:


OutTrade B.V.
De Grift 1
7711 EP Nieuwleusen
The Netherlands

Tel: +31-529—48 28 08
Fax: +31-529—48 49 10

info@outtrade.eu
www.outtrade.eu

Beschreiben Sie Mängel



KONFORMITÄTSERKLÄRUNG EU		
We,	OutTrade B.V. De Grift 1 7711 EP Nieuwleusen	
Hiermit erklären wir, dass das nachfolgend bezeichnete Gerät:		
Markenname und Modell:	Sunred	FT17G Series
Klassifizierung des Geräts:	Outdoor Patio Gas Heater	
den folgenden Normen und Richtlinien entspricht:		
Norm:	In Bezug auf (2009/142/EC) EN 14543+A1:2007 CE 0063	
Hiermit erkläre ich, dass das oben bezeichnete Gerät so konzipiert und gebaut wurde, dass es den entsprechenden Sektionen der oben genannten Normen entspricht und grundsätzliche Anforderungen der genannten Richtlinien erfüllt.		
Untersignet von: R. Dijkman	Unterschrift:	
Geschäftsführer: Managing Director		
Ort: Nieuwleusen, The Netherlands	Ausstelldatum:	Nieuwleusen, 09/07/2019



OutTrade BV

De Grift 1—7711 EP Nieuwleusen

Tel: +31 (0)529-482808

Fax: +31 (0)529-484910

Email: info@outtrade.eu

Website: www.outtrade.eu



Manuel D' Instructions — Gardez ces instructions pour référence future

FR RADIATEUR DE TERRASSE

ATTENTION

L'utilisation dans des espaces fermés peut être dangereuse et est interdite.

ATTENTION

Veuillez lire le manuel avant utilisation

ATTENTION

Retirez soigneusement l'emballage avant utilisation, mais conservez les instruments de sécurité. Ces instructions font partie du produit.

Veuillez noter tous les avertissements de sécurité mentionnés dans ce manuel. Lisez les instructions dans leur intégralité et conservez-les pour référence future. Ces instructions doivent être stockés avec le produit.

Ce produit est destiné à un usage domestique et ne peut être utilisé à des fins commerciales ou contractuelles.





INSTRUCTIONS DE SÉCURITÉ

VEUILLEZ LIRE CES INSTRUCTIONS DE SÉCURITÉ AVANT D'UTILISER L'APPAREIL

POUR VOTRE SÉCURITÉ

Si vous sentez une odeur de gaz:

1. Fermez l'approvisionnement en gaz à l'appareil.
2. Éteignez toute flamme.
3. Si l'odeur persiste, appelez immédiatement votre fournisseur de gaz ou le service d'incendie.

POUR VOTRE SÉCURITÉ

1. N'entreposez pas/ N'utilisez pas d'essence ou d'autres vapeurs ou liquides inflammables dans le voisinage de cet appareil.
2. Une bouteille de GPL non raccordée pour l'utilisation ne doit pas être stockée dans la proximité de cet appareil.

POUR VOTRE SÉCURITÉ

- 1) Pour une utilisation en extérieur ou dans des zones largement ventilés.
- 2) Une zone largement ventilés doit avoir un minimum de 25% de la surface ouverte. (Fig. 2)
- 3) La surface spécifique est la somme de la surface des parois.

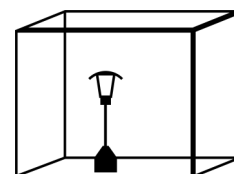


Fig. 2

AVERTISSEMENT

Une installation, un réglage, une modification, un service ou un entretien peut causer des blessures ou des dommages matériels. Lisez les instructions d'installation, d'utilisation et d'entretien avant d'installer ou de réparer cet appareil.

AVERTISSEMENT

Lisez les instructions avant l'installation et l'utilisation.

- Cet appareil doit être installé et la bouteille de gaz stockée conformément à la réglementation;
- N'interrompez pas les orifices de ventilation du boîtier de la bouteille de gaz;
- Ne déplacez pas l'appareil lorsqu'il est en fonctionnement ;
- Fermez la valve de la bouteille de gaz ou le régulateur avant de déplacer l'appareil;
- Le tube ou le tuyau flexible doit être changé dans les intervalles prescrits ;
- Utilisez seulement le type de gaz et le type de cylindre spécifié par le fabricant ;
- Les spécifications de la bouteille : diamètre 30,5cm, hauteur 57,1cm, capacité maximale 23kg.
- En cas de vent fort attention particulière doit être prise contre l'inclinaison de l'appareil;



Sommaire

Attention	52
Positionnement de l'appareil de chauffage	55
Besoins en gaz	56
Opération et stockage	57
Nettoyage et entretien	58
Pièces et données	60
Assemblage: pièces et marches	63
Test de fuite	65
Check-list des fautes	66





INSTRUCTIONS DE SÉCURITÉ

VEUILLEZ LIRE CES INSTRUCTIONS DE SÉCURITÉ AVANT D'UTILISER L'APPAREIL

Veillez lire les instructions de sécurité suivantes avant l'opération.

N'utilisez pas l'appareil pour l'intérieur, car il peut causer des blessures ou des dommages matériels.

Cet appareil de chauffage extérieur n'est pas destiné à être installé sur des véhicules et/ou des bateaux.

Installation et réparation doivent être effectuées par un technicien qualifié.

Installation, réglage, ou altération incorrecte peuvent causer des blessures ou des dommages matériels.

N'essayez pas de modifier l'appareil de quelque manière.

Ne remplacez jamais le régulateur avec un autre régulateur que le remplacement suggéré de l'usine.

N'entreposez pas/ N'utilisez pas d'essence ou d'autres vapeurs ou liquides inflammables dans l'appareil de chauffage.

Le système de gaz, le tuyau flexible, le régulateur, la flamme pilote et le brûleur doivent être contrôlés de fuites ou de dommages avant l'usage et au moins annuellement par une personne qualifiée.

Tous les tests de fuite doivent être effectués par une solution de savon. N'utilisez jamais une flamme nue pour vérifier les fuites.

N'utilisez pas l'appareil jusqu'à ce que toutes les connexions aient été testées de fuites.

Fermez la valve de gaz immédiatement si une odeur de gaz est détectée. S'il y a une fuite à la connexion du tuyau et du régulateur : serrez la connexion et effectuez un autre test de fuite. Si des bulles continuent d'apparaître le tuyau doit être retourné à son lieu d'achat. S'il y a une fuite à la connexion du régulateur et de la valve de la bouteille : déconnectez, reconnectez, et effectuez un autre test de fuite. Si vous continuez à voir des bulles après plusieurs tentatives, la bouteille de gaz est défectueuse et doit être retournée à l'endroit de l'achat.

Ne déplacez pas l'appareil pendant qu'il fonctionne.

Ne déplacez pas l'appareil après qu'il a été éteint jusqu'à ce que la température ait refroidie.

Laissez les orifices de ventilation du boîtier de la bouteille de gaz libre et propre.

Ne peignez pas l'écran rayonnant, le panneau de commande ou le réflecteur.

Le panneau de commande, le brûleur et les passages de circulation d'air de l'appareil doivent être maintenus propres.

Un nettoyage fréquent peut être nécessaire.

La bouteille de gaz doit être éteint lorsque l'appareil n'est pas utilisé.

Vérifiez l'appareil immédiatement dans les cas suivants :

- L'appareil n'atteint pas la température.

- Le brûleur fait beaucoup de bruit pendant l'utilisation (un bruit léger est normal lorsque le brûleur s'éteint).

- Odeur de gaz en liaison avec le basculement jaune extrême des flammes du brûleur.

Le régulateur et le tuyau flexible doivent être placés loin des voies où les gens peuvent trébucher ou des zones où le tuyau peut être endommagé.

Tout protecteur ou autre dispositif de protection retiré pour l'entretien du chauffage doit être remplacé avant d'utiliser l'appareil de chauffage.

Les adultes et les enfants doivent rester à l'écart de la surface à haute température pour éviter les brûlures ou l'inflammation des vêtements.

AVERTISSEMENT

L'utilisateur assume tous les risques lors du montage et de l'utilisation du chauffage au gaz. Le non respect des avertissements et des instructions contenus dans ce manuel peut entraîner des dommages physiques, fatals ou matériels. Si vous ne lisez pas ce manuel ou si vous ne le comprenez pas bien, consultez votre revendeur. Le fabricant ou le fournisseur décline toute responsabilité en cas de négligence de la part d'un utilisateur.

AVERTISSEMENT

Si vous ne suivez pas les instructions et les informations de ce manuel ou dans le cas d'une mauvaise utilisation en dehors des utilisations proposées, le fabricant rejette toute responsabilité pour les dommages au produit.

Les enfants doivent être surveillés attentivement lorsqu'ils sont dans la zone de l'appareil.

Vêtements ou autres matériaux inflammables ne doivent pas être accrochés sur l'appareil ou placés sur ou près de l'appareil.

Changez la bouteille de gaz dans une zone largement aérée, loin de toute source d'inflammation (bougies, cigarettes, appareils de production de flamme, ...).

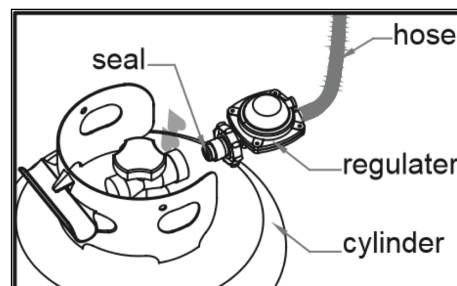
Vérifiez que le ruban de plomberie du régulateur est correctement installé et en mesure de remplir sa fonction (voyez l'image à droite).



INSTRUCTIONS DE SÉCURITÉ

VEUILLEZ LIRE CES INSTRUCTIONS DE SÉCURITÉ AVANT D'UTILISER L'APPAREIL

- N'interrompez pas les orifices de ventilation de la bouteille de gaz.
- Fermez l'approvisionnement en gaz à la valve de la bouteille ou au régulateur après l'utilisation. En cas de fuite de gaz, l'appareil ne doit pas être utilisé ou si allumée, l'approvisionnement en gaz doit être fermée et l'appareil doit être inspecté et corrigé avant qu'il soit utilisé de nouveau ;
- Vérifiez le tuyau au moins une fois par mois, chaque fois que la bouteille de Gaz est changée, ou chaque fois après aucune utilisation depuis longtemps.
- S'il montre des signes de fissuration, scission ou autre détérioration, il faut
- Le changer par un nouveau tuyau de la même longueur et de la qualité équivalente.
- L'utilisation de cet appareil dans des espaces clos peut être dangereuse et C'est interdit ;
- Lisez les instructions avant d'utiliser cet appareil.
- L'appareil doit être installé en conformité avec les instructions et la réglementation locale.
- Pour la connexion de tuyau et le régulateur, veuillez voir l'image montrée ci-dessus.



Seal	Joint
Hose	Tuyau
Regulator	Régulateur
Cylinder	Cylindre

POSITION DE CHAUFFE-TERRASSE

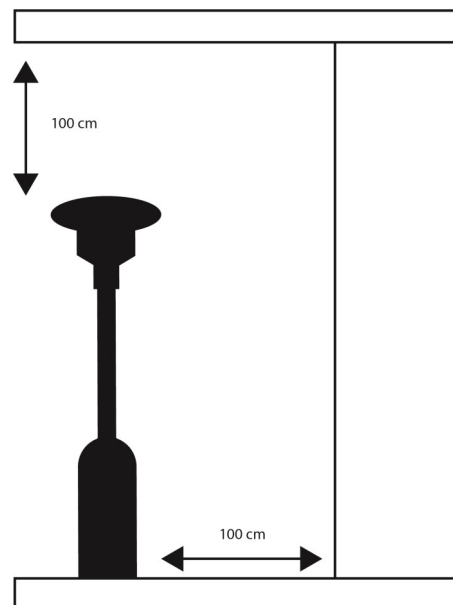
La chauffe-terrasse de table est seulement pour une utilisation à l'extérieur.

Assurez-vous que la ventilation d'air frais est toujours fournie.

Maintenez toujours un dégagement approprié aux matériaux combustibles non protégés, à savoir 100cm en haut et 100cm aux côtés.

La chauffe-terrasse doit être positionnée sur une surface plane et solide.

N'utilisez jamais l'appareil dans une atmosphère explosive, comme dans les régions où l'essence ou d'autres liquides ou gaz inflammables sont stockés. Pour protéger l'appareil du vent fort, ancrez la base solidement au sol avec des vis.



Product model may vary

La distance minimale doit être d'au moins 100 cm



INSTRUCTIONS DE SÉCURITÉ

VEUILLEZ LIRE CES INSTRUCTIONS DE SÉCURITÉ AVANT D'UTILISER L'APPAREIL

EXIGENCES DE GAZ

- Utilisez seulement le propane, le butane ou le gaz des mélanges.
- Le régulateur de pression et le tuyau utilisés doivent être conformés aux standards locaux.
- L'installation doit être conformée aux codes locaux ou, en l'absence de codes locaux, à la norme pour le stockage et la manipulation des gaz de pétrole liquéfiés.
- Une bouteille cabossée, rouillé ou endommagé peut être dangereuse et devrait être contrôlée par votre fournisseur des bouteilles de gaz. N'utilisez jamais une bouteille de propane avec une connexion de valve endommagé.
- La bouteille de gaz doit être positionnée d'une manière à prévoir le retrait de gaz.
- Ne connectez jamais une bouteille de gaz non réglementée à l'appareil.

TEST DE FUITE

- Les connexions de gaz sur l'appareil sont testées pour des fuites à l'usine avant l'expédition.
- Un test de fuite complète (pour l'étanchéité aux gaz) doit être effectué sur le site de l'installation en raison de la possibilité d'une mauvaise manipulation lors de l'expédition.
- Faites une solution on de savon d'une partie de détergent liquide et une partie d'eau. La solution de savon peut être appliquée avec une bouteille de pulvérisation, une brosse ou un chiffon. Les bulles de savon apparaissent en cas de fuite.
- L'appareil doit être vérifié avec une bouteille pleine.
- Assurez-vous que le commutateur de sécurité est en position OFF.
- Ouvriez l'approvisionnement de gaz.
- En cas de fuite, fermez l'approvisionnement de gaz. Serrez les connexions qui fuient, puis ouvriez l'approvisionnement de gaz

ATTENTION

Ne tentez aucune modification de l'appareil de quelque manière que ce soit appliquer. Mauvaise installation, mauvaise utilisation, Les changements ou modifications apportés à l'appareil peuvent endommager ou endommager causer des blessures. Le fabricant et l'importateur ne peuvent être tenus responsables.



INSTRUCTIONS DE SÉCURITÉ

VEUILLEZ LIRE CES INSTRUCTIONS DE SÉCURITÉ AVANT D'UTILISER L'APPAREIL

ALLUMER L'APPAREIL

1. Appuyez sur le commutateur de commande et le transformez dans le sens horaire en position OFF.
2. Tournez la valve de la bouteille de gaz complètement ouvert.
3. Appuyez sur le commutateur de commande et le transformez dans le sens antihoraire en position IGNITE, et après en position PILOT (vous entendez deux 'clicks').
4. Avec la flamme pilote allumée, continuez appuyer le commutateur environ 30sec.

REMARQUE

Si la flamme pilote ne s'allume pas, transformez le commutateur de commande en position OFF, fermez la valve de la bouteille de gaz, attendez 5 minutes, et alors répétez les étapes 2-4.

REMARQUE

Si la flamme pilote s'allume mais s'éteint, transformez le commutateur de commande en position OFF, fermez la valve de la bouteille de gaz, attendez 5 minutes, et alors répétez les étapes 2-3. Alors, en utilisant un briquet, allumez la flamme pilote par le trou d'allumage. Avec la flamme pilote allumée, continuez appuyer le commutateur environ 30sec.

5. Après avoir appuyez sur le commutateur de commande environ 30sec, transformez-le en position LOW. Pour une température plus élevée, transformez le commutateur vers la position HIGH.

ATTENTION

Avant l'utilisation, vérifiez que le verre n'est pas fissuré.

ÉTEINDRE L'APPAREIL

1. Tournez la valve de la bouteille de gaz complètement fermée.
2. Tournez le commutateur de commande dans le sens horaire en position OFF.

STOCKAGE

1. Fermez toujours la valeur de gaz de la bouteille de gaz après utilisation ou en cas de perturbation.
2. Retirez le régulateur de pression et le tuyau.
3. Vérifiez l'étanchéité de la soupape à gaz et, si vous suspectez des dégâts, faites-la changer par votre fournisseur de gaz.
4. Ne stockez jamais une bouteille de gaz liquide dans un sous-terrain ou dans des endroits sans ventilation adéquate

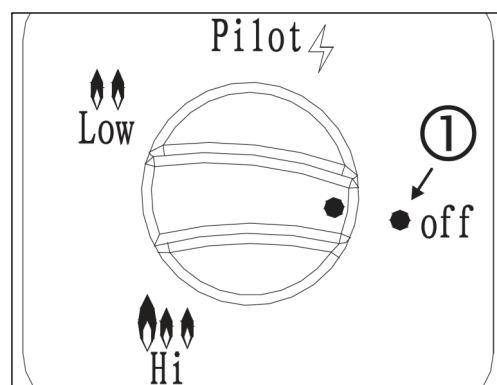
NETTOYAGE ET ENTRETIEN

- Essuyez les surfaces recouvertes de poudre avec un chiffon doux et humide.
- Ne nettoyez pas le radiateur avec des nettoyeurs combustibles ou corrosifs.
- Enlevez les débris du brûleur pour le garder propre et sûr à utiliser.
- Couvrez le brûleur avec le couvercle de protection optionnel lorsque l'appareil de chauffage n'est pas utilisé.

OFF: L'appareil est éteint

Hi: Position de température maximale

Lo: Position de température minimale



Bouton de contrôle variable

Allumeur



INSTRUCTIONS DE SÉCURITÉ

VEUILLEZ LIRE CES INSTRUCTIONS DE SÉCURITÉ AVANT D'UTILISER L'APPAREIL

PENDANT LES PÉRIODES D'INACTIVITÉ PROLONGÉE OU LORS DU TRANSPORT:

- Tournez la commande en position "OFF".
- Débranchez la bouteille de GPL et déplacez-la vers un endroit sûr et bien ventilé à l'extérieur. NE PAS stocker dans un emplacement qui dépassera 50 degrés C.
- Rangez l'appareil dans un endroit à l'abri des intempéries (pluie, grésil, grêle, neige, etc.).
- Si vous le souhaitez, couvrez le radiateur pour protéger les surfaces extérieures et pour empêcher la poussière et les débris de s'accumuler dans les passages d'air.

ATTENTION

- NE PAS toucher ou déplacer l'appareil de chauffage pendant au moins 45 minutes après utilisation.
- Laissez tous les éléments du brûleur refroidir avant de les toucher.

REMARQUE

- Dans un environnement salin, cette corrosion se produit plus rapidement que la normale
- Vérifiez fréquemment les zones corrodées et réparez-les rapidement.
 - Attendez que le chauffage soit refroidi avant de couvrir.



PIÈCES ET SPÉCIFICATIONS

A. Construction et caractéristiques

- Chauffage de terrasse / jardin transportable avec réservoir.
- Caisson en acier avec revêtement en poudre ou en acier inoxydable.
- Raccords de tuyaux à gaz avec pince métallique (bouchons à vis pour l'Allemagne). Émission de chaleur du réflecteur.

B. Spécifications

- Utilisez du propane, du butane ou leurs mélanges uniquement gazeux.
- Max. puissance: 11000 watts
- Min. puissance: 5000 watts
- Consommation:

APPLIANCE CATEGORY:	I3+(28-30/37)		I3B/P(30)	I3B/P(50)
TYPES OF GAS:	Butane	Propane	Butane, propane or their mixtures	Butane, propane or their mixtures
GAS PRESSURE	28-30 mbar	37 mbar	30 mbar	50 mbar
OUTLET PRESSURE OF REGULATOR:	30 mbar	30 mbar	30 mbar	50 mbar

Utiliser le régulateur approprié en fonction de la pression de sortie du régulateur, comme indiqué dans le tableau ci-dessus.

C. Table ou injecteur

APPLIANCE CATEGORY:	I3+(28-30/37)		I3B/P(30)	I3B/P(50)
TYPES OF GAS:	Butane	Propane	Butane, propane or their mixtures	Butane, propane or their mixtures
GAS PRESSURE	28-30 mbar	37 mbar	30 mbar	50 mbar
TOTAL HEAT INPUT	11 kW (800 g/h)			
INJECTOR SIZE	1.6 mm for main burner 0.18 mm for pilot burner		1.4 mm for main burner 0.18 mm for pilot burner	

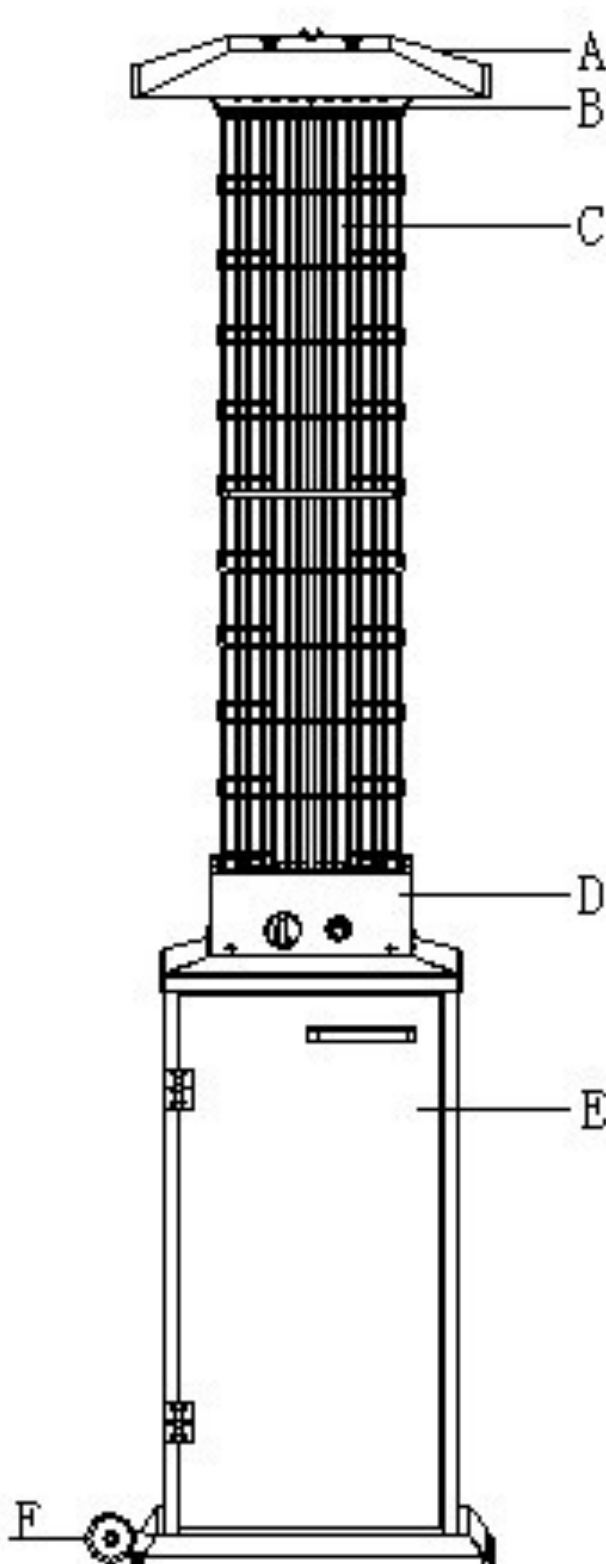
Le repère, par exemple 1,6 sur l'injecteur, indique que la taille de l'injecteur est de 1,6 mm.

- Le tuyau et le régulateur doivent être conformes aux normes locales.
- La pression de sortie du détendeur doit correspondre à la catégorie d'appareil correspondante dans B. Spécifications.
- L'appareil nécessite un tuyau approuvé d'une longueur de 1,4 m.

Un régulateur (conforme à EN16129: 2013 et à la réglementation nationale) de la pression correcte correspondant à la catégorie de l'appareil.
 Utilisez un détendeur à 30 bar pour le butane / propane dans la catégorie I3B / P (30). Utilisez un détendeur à 30 mbar pour le butane dans la catégorie I3 + (28-30 / 37).
 Utilisez le détendeur 37 mbar pour le propane dans la catégorie I3 + (28-30 / 37).
 Utilisez un détendeur à 50 bar pour le butane / propane dans la catégorie I3B / P (50).
 Il est recommandé d'utiliser un tuyau flexible conforme à la norme EN16436: 2014.



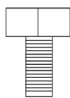
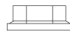







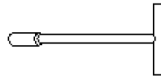
LISTE DES PIÈCES



A	Réflecteur
B	Upper plate
C	Tube en verre
D	Ensemble brûleur
E	Réservoir
F	Plaque de base



LISTE DES PIÈCES

AA		Bolz M8	2x
BB		Bride M8	2x
CC		Bolz M5	8x
DD		Bride M5	12x
EE		Petites rondelles plate Φ6	6x
FF		Cle	1x
GG		Boulon spacer	3x
HH		Ecrou de mouche M6	3x
II		Anneau de caoutchouc	1x
JJ		Cle 8mm	1x



EFFECTUER UN TEST DE FUITE

ATTENTION

Lisez les instructions avant l'installation.

ATTENTION

L'appareil ne doit pas être utilisé en cas de fuite. Lorsque l'appareil est allumé, fermez l'alimentation en gaz et vérifiez-le avant de l'utiliser à nouveau.

ATTENTION

La fréquence recommandée de test de la tuyauterie ou de la tuyauterie flexible (au moins une fois par mois et chaque fois que la bouteille est remplacée) et la nécessité d'un remplacement régulier, si indiqué sur la tuyauterie ou la tuyauterie flexible. S'il présente des signes de fissures, de fissures ou d'autres dommages, il doit être remplacé par un nouveau tuyau de longueur et de qualité égales.

ATTENTION

- 1) Lisez les instructions avant d'installer;
- 2) Ne connectez pas la bouteille de gaz directement à l'unité sans le régulateur.
- 3) Les flexibles ou le flexible doivent être remplacés dans les délais prescrits.
- 4) Utilisez uniquement le type de gaz et le type de bouteille spécifiés dans ce manuel.

ATTENTION

Ne pas connecter la bouteille de gaz à l'unité sans régulateur
Utilisez uniquement le type de gaz et de bouteille spécifié..

ATTENTION

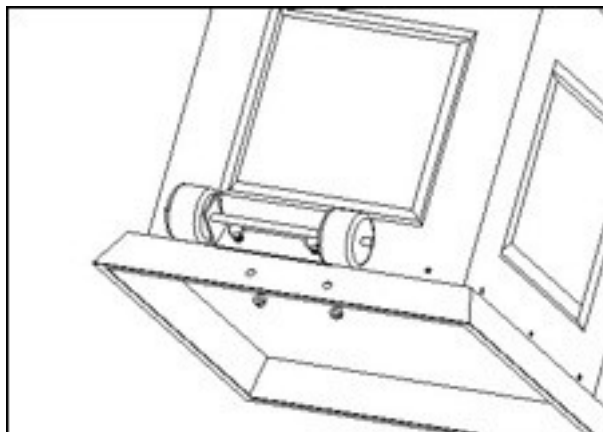
- Si la flamme d'allumage ne s'allume pas ou si elle a été éteinte, tournez le bouton à «OFF». Il doit rester en position OFF pendant au moins 5 minutes avant de pouvoir être redémarré avec allumage. Assurez-vous que la commande est éteinte avant de rallumer le chauffage à gaz.
- Si une nouvelle bouteille de gaz vient d'être raccordée, laissez l'air du tuyau de gaz s'échapper par le trou de la flamme d'allumage pendant au moins une minute.
- Lorsque vous allumez la flamme, assurez-vous que la commande variable est enfoncée tout le temps pendant que vous appuyez sur le bouton d'allumage. La commande variable peut être relâchée dès que la flamme d'allumage brûle.
- Vous pouvez observer et contrôler la flamme d'allumage à travers la petite fenêtre ronde dotée d'un couvercle coulissant au bas du boîtier.



MONTAGE

Étape 1

Vissez la roue (M) sur le châssis, insérez la vis M8 (1) et vissez l'écrou M8 (2).



REMARQUE

Le cadre supérieur doit correspondre au cadre inférieur. Le côté de l'aimant doit être du même côté que le côté rainuré.

Étape 2

Assemblez l'anneau en caoutchouc à l'extrémité du tube de verre.



Étape 3

Montez l'extrémité du tube en verre avec l'anneau en caoutchouc sur le brûleur et fixez le tube de verre.

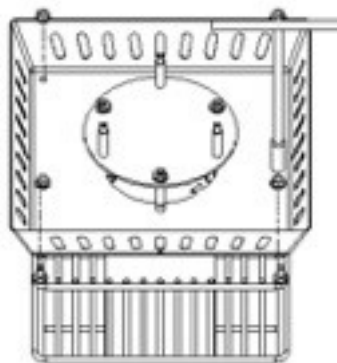




MONTAGE

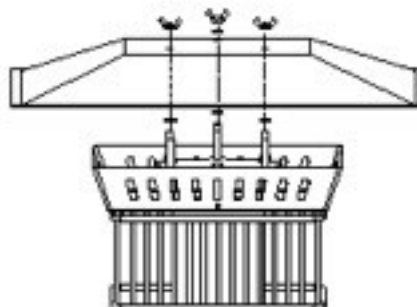
Étape 4

Fixez le réflecteur (A) et serrez-le, placez l'anneau (5) et montez le réflecteur (A) à l'aide d'écrous à oreilles (9).



Étape 5

Connectez le brûleur au réservoir à l'aide de boulons de 8 (7) et 8 écrous M5 (4).



Étape 6

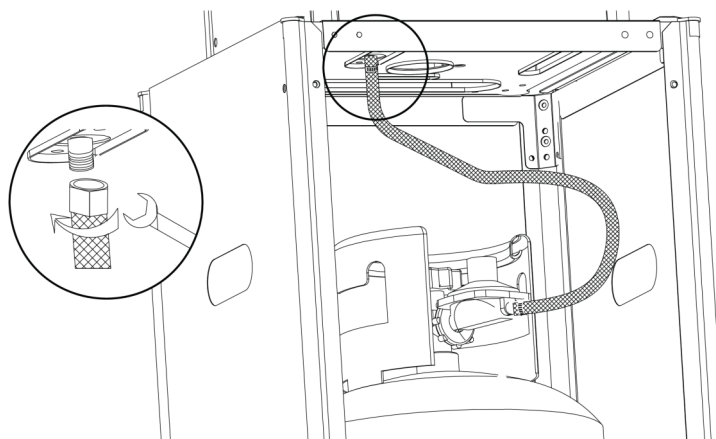
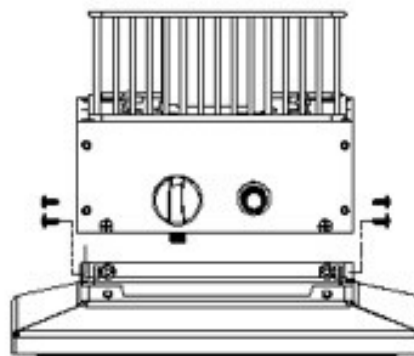
Sluit de brander aan op de tank met behulp van 8 bouten (7) en 8 moeren M5 (4)

Branchez le tuyau de gaz au brûleur.

Assurez-vous d'obtenir une bonne position.

Faites un test d'étanchéité.

L'injecteur qui est fixé sur cet appareil, n'est pas destiné à être supprimé. Le pulvérisateur est assemblé dans l'usine. Il est interdit de changer de cet appareil d'une pression de gaz à une autre pression. Ne pas brancher directement la bouteille de gaz sur l'appareil sans régulateur. Le tuyau flexible doit être approuvé selon EN16436 :2014. Le régulateur doit être conforme au standard EN16129 :2013, le tuyau d'échappement du régulateur doit correspondre aux valeurs sur la plaque signalétique. Le régulateur remplacé doit être au moins conforme aux spécifications suivantes selon la réglementation nationale





EFFECTUER UN TEST DE FUITE

ATTENTION

Un test de fuite devrait être effectué annuellement ou à chaque fois un cylindre est accroché ou une partie du système de gaz est remplacée.

ATTENTION

N'Utilisez jamais une flamme nue pour effectuer un test de fuite. Assurez-vous qu'il n'y a pas d'étincelles ou de flammes dans la zone tout en effectuant un test de fuite. Étincelles ou de flammes peuvent provoquer un incendie ou une explosion; cela peut provoquer des dommages matériels, des blessures ou la mort.

EFFECTUER UN TEST DE FUITE

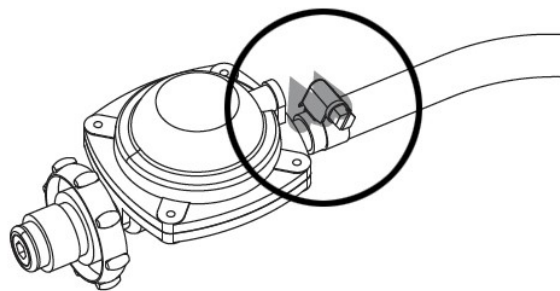


Effectuez un test de fuite. Cela devrait être fait avant la première utilisation, annuellement et à chaque fois qu'une partie du système de gaz est remplacée ou réparée. Ne fumez pas pendant les tests de fuite. Retirez toutes les sources d'ignition. Voyez les diagrammes pour les connexions à tester. Fermez le commutateur de commande, et ouvrez l'approvisionnement de gaz

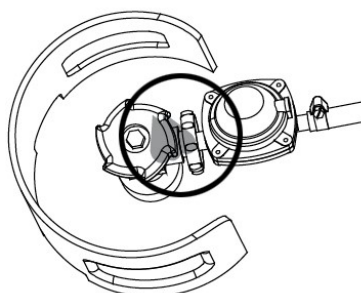
Appliquez une solution savonneuse sur toutes les connexions entre le détendeur, le flexible, les vannes, etc. Des bulles de savon en marquent un. fuite de gaz. Serrer la connexion correspondante ou remplacer la pièce par une pièce de rechange approuvée et Faites vérifier le chauffage par un installateur certifié.



Si la fuite ne peut pas être fermée, fermez immédiatement et débranchez l'alimentation en gaz. Faire vérifier le chauffage par le revendeur ou un installateur certifié. Ne pas utiliser le radiateur tant que la fuite n'a pas été corrigée.



Tuyau de gaz / Régulateur de pression de gaz



Régulateur / Connexion de cylindre

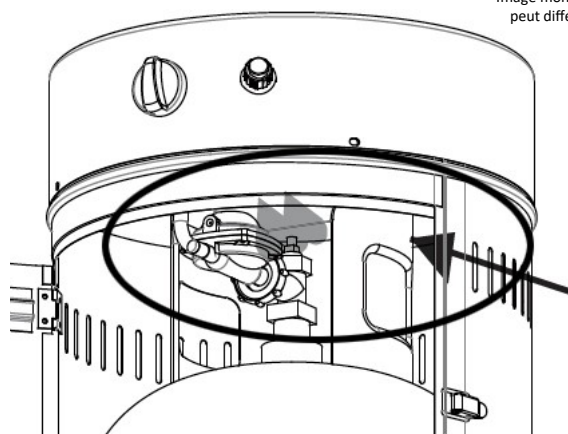
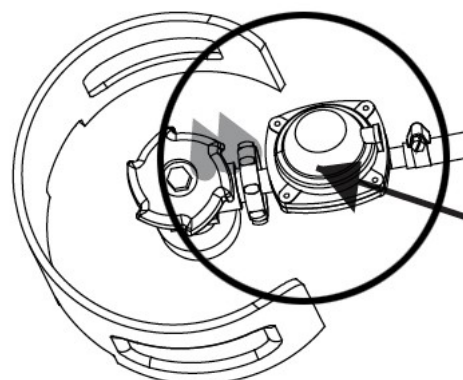


Image montrée peut différer.





LISTE DE VÉRIFICATION DES PROBLÈMES

PROBLÈME	CAUSE PROBABLE	SOLUTION
Flamme pilote ne s'allume pas	Valve de gaz peut être fermée Bouteille de gaz vide Bouteille de gaz vide Air dans le système Air dans le système	Ouvrez la valve de gaz Remplissez la bouteille Nettoyez ou remplacez Purgez l'air Contrôlez les connexions
Flamme pilote s'éteint	Débris autour flamme pilote Connexions desserrées Thermocouple mauvais Fuite de gaz Pression de carburant manqué	Nettoyez la zone sale Serrez les connexions Remplacez le thermocouple Contrôlez les connexions Bouteille vide. Remplissez
Brûleur ne s'allume pas	Pression est faible Ouverture bloqué Commutateur mal positionné Thermocouple mauvais Assemblage de flamme pilot plié Emplacement incorrect	Bouteille vide. Remplissez Enlevez et nettoyez Tournez le commutateur Remplacez le thermocouple Positionnez correctement Positionnez correctement et réessayez
En cas des problèmes de montage ou de l'utilisation, s'il vous plaît n'essayez pas de modifier l'appareil vous-même. Contactez votre fournisseur ou distributeur pour les résoudre.		



BON DE GARANTIE



Garantie limitée de 2 ans

Veuillez remplir ce formulaire et l'envoyer par fax ou par e-mail aux numéros indiqués ci-dessous. Si le produit s'avère défectueux, retournez-le au vendeur avec le justificatif d'achat.

- Joignez une copie numérisée ou une photocopie du justificatif d'achat.
- Joignez des photos ou images et une description du produit défectueux ou endommagé.

Votre nom:

Adresse:

Adresse e-mail:

Code postal:

Numéro du modèle :

Numéro de série:

Numéro de batch:

(indiqué sur la plaque signalétique au dos de l'appareil)

Date d'achat :

Date:

Année:


OutTrade B.V.
De Grift 1
7711 EP Nieuwleusen
The Netherlands

Tel: +31-529—48 28 08
Fax: +31-529—48 49 10

info@outtrade.eu
www.outtrade.eu

Veuillez fournir une description du défaut:



DÉCLARATION DE CONFORMITÉ EU		
We,	OutTrade B.V. De Grift 1 7711 EP Nieuwleusen	
Par la présente, nous déclarons que le produit décrit ci-dessous :		
Nom de la marque et du modèle:	Sunred	FT17G Series
Classement de l'appareil:	Outdoor Patio Gas Heater	
est conforme aux normes et directives suivantes:		
Norme:	en référence à (2009/142/EC) EN 14543+A1:2007 CE 0063	
Je déclare par la présente que l'appareil susvisé a été conçu de manière à assurer sa conformité aux sections correspondantes des normes indiquées ci-dessus et de manière à remplir les exigences essentielles des directives susmentionnées.		
Signé par: R. Dijkman	Signature:	
Fonction: Managing Director		
Fait à: Nieuwleusen, The Netherlands	Délivré le:	Nieuwleusen, 09/07/2019



OutTrade BV

De Grift 1—7711 EP Nieuwleusen

Tel: +31 (0)529-482808

Fax: +31 (0)529-484910

Email: info@outtrade.eu

Website: www.outtrade.eu