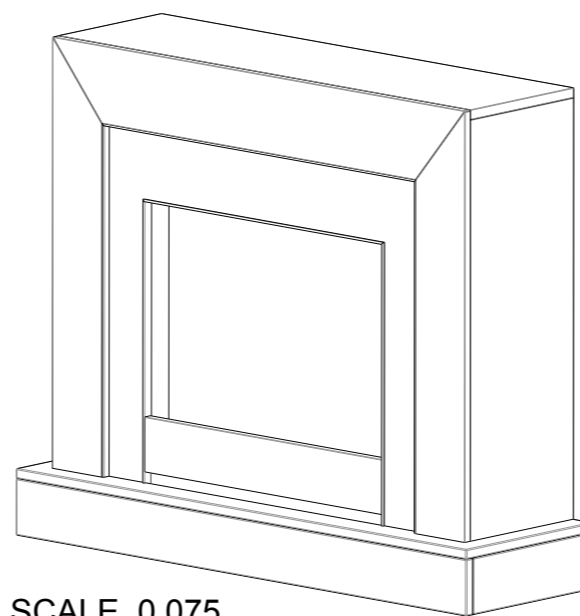
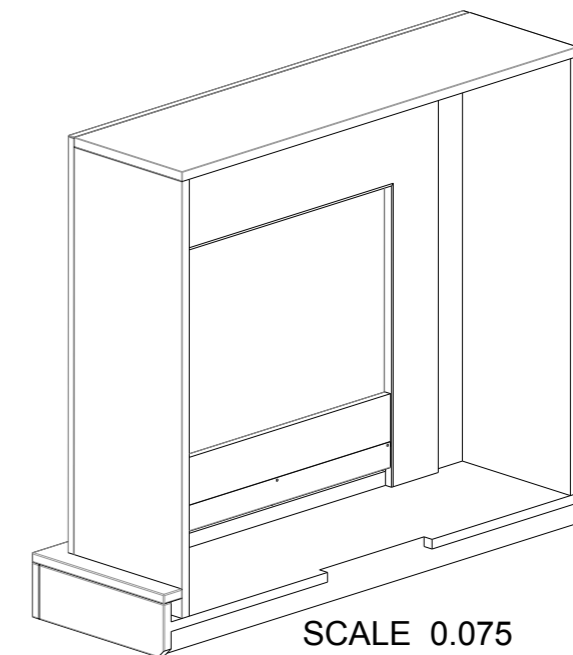


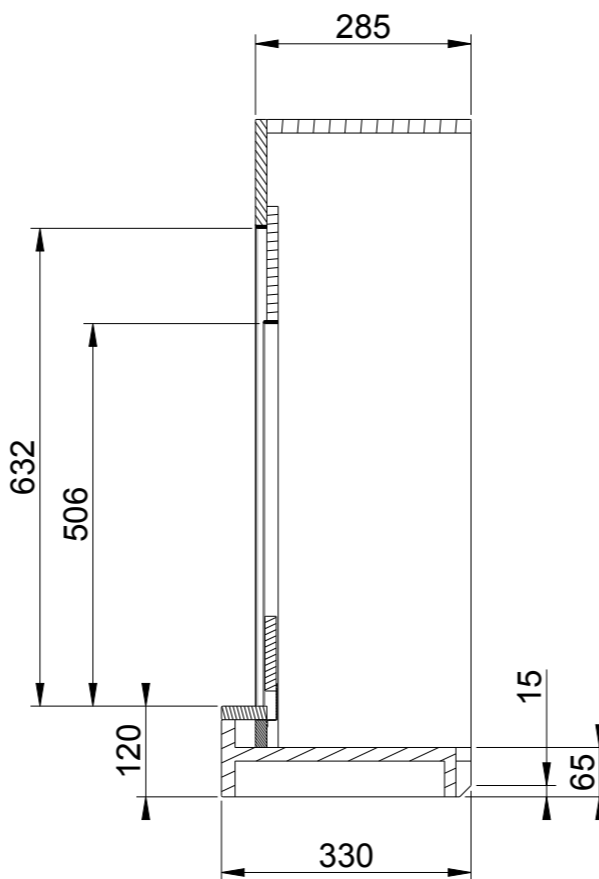
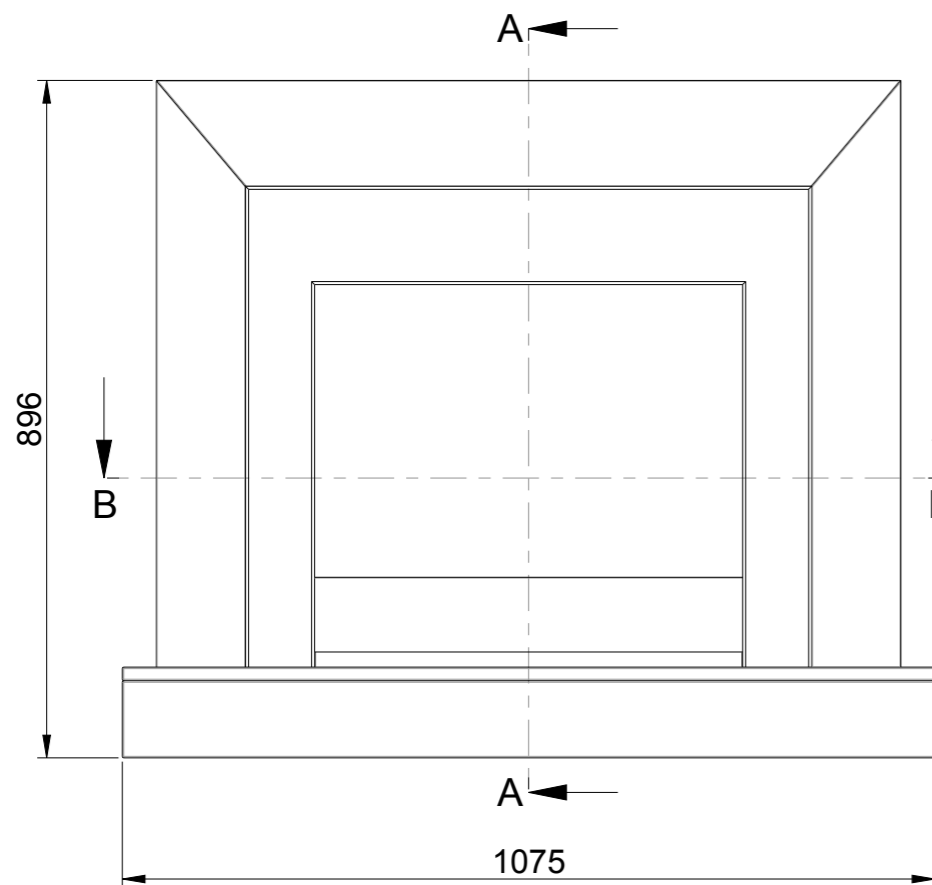
SECTION B-B



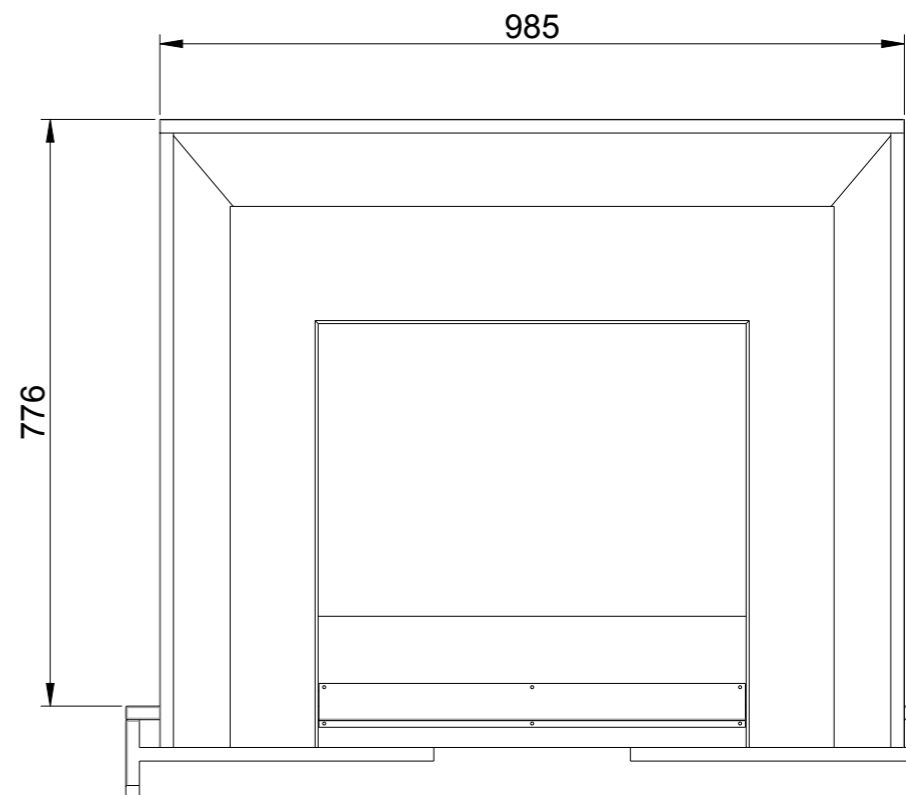
SCALE 0.075



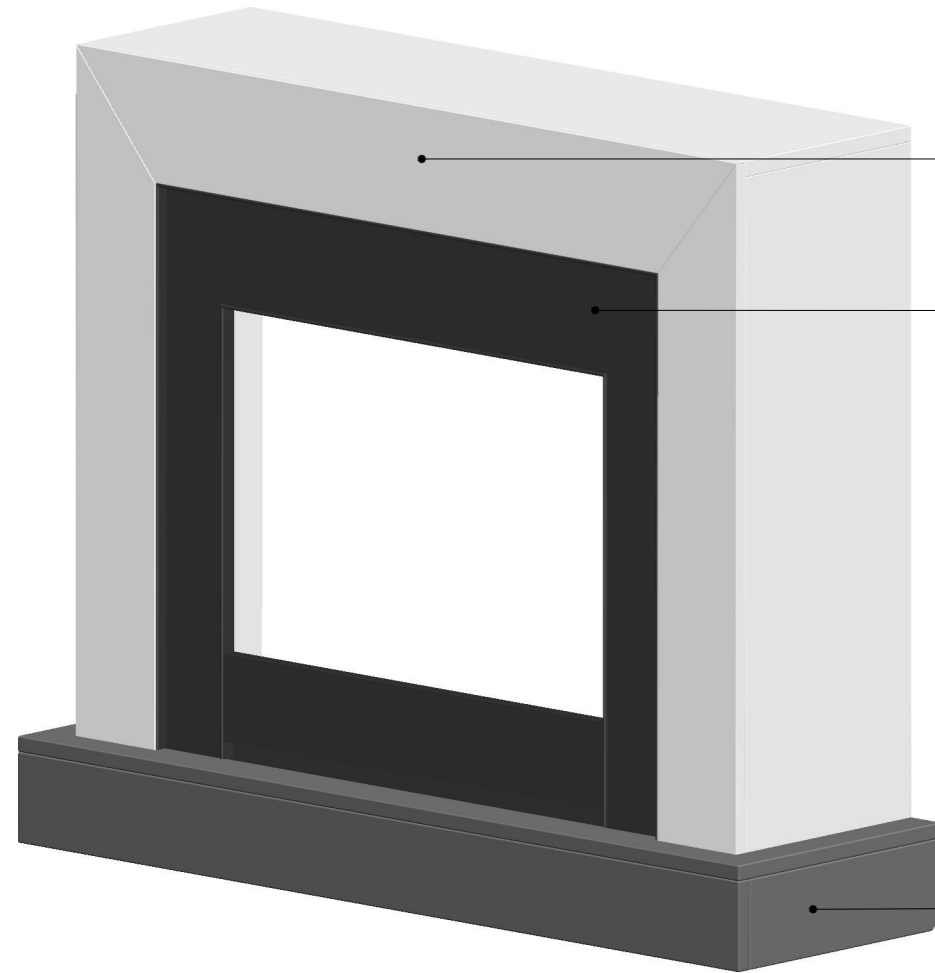
SCALE 0.075



SECTION A-A



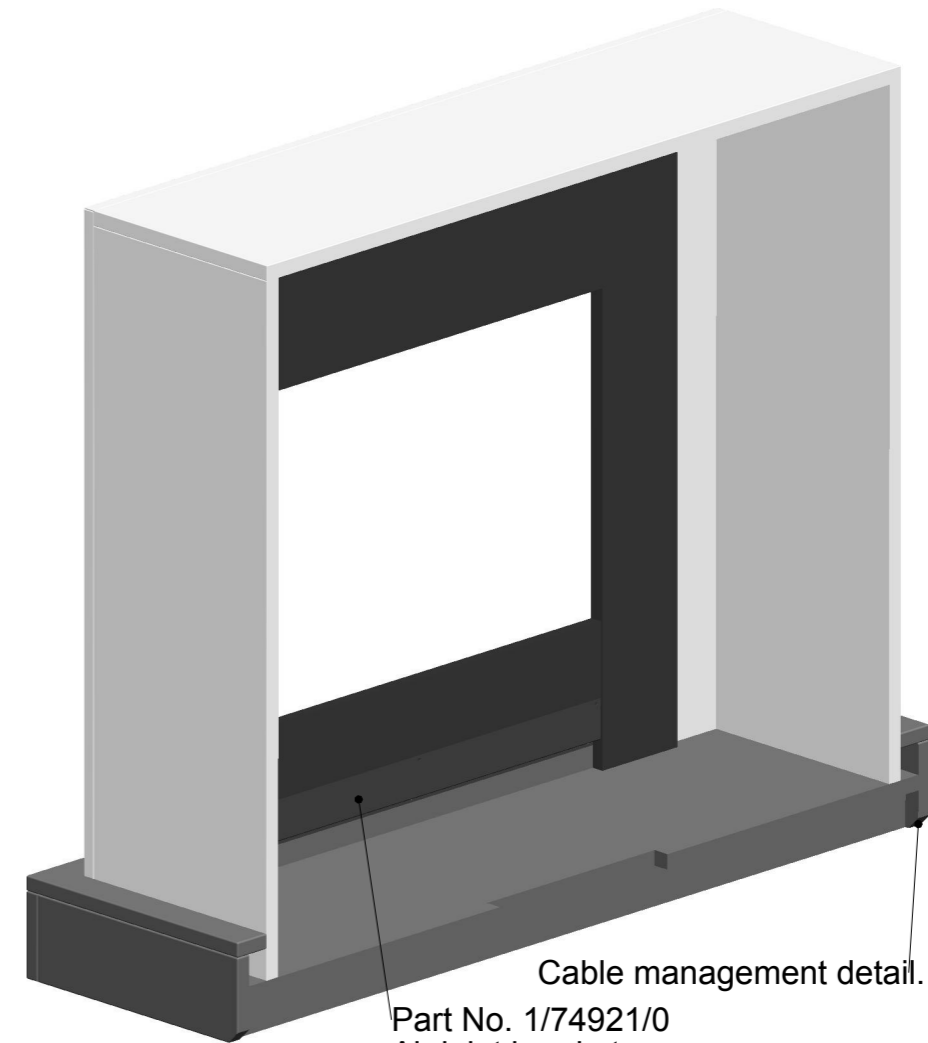
ISSUE	MODIFICATIONS	OCN	APPD	DATE	NOTES	GLEN DIMPLEX RESEARCH & DEVELOPMENT HEATING AND VENTILATION IRELAND Barn road, Dunleer, Co.Louth, Ireland. Tel: +353(0)41 6872000					THIS DRAWING IS SUPPLIED IN CONFIDENCE AND THE COPYRIGHT THEREOF IS THE PROPERTY OF GLEN DIMPLEX: IT MUST NOT BE USED BY A THIRD PARTY WITHOUT PRIOR PERMISSION. ©2018	
1	Product Released.	----	D.Kiely	04-Apr-19	- ENG56-600 to be used in this Suite. - No FSC requirements.	DRAWN BY	DATE	SCALE	HOLE TOL	GEN TOL	PROJECT Ravel Suite	
						D.Kiely	14-Dec-18	0.1%	+/-0.05	0 +/-0,4	TITLE Ravel Suite assembly	
						APP'D BY	DATE	DIM IN	ANGLES	0,0 +/-0,2	NO. OFF:	
						N/A	N/A	mm	+/-0.5°	0,00+/-0,1	DRG NO	
						MATERIAL See individual parts			R.o.H.S. compliant			A3
						FINISH See individual parts			All materials must comply with the requirements of European Directive 2011/65/EU on the restriction of the use of certain hazardous substances			
					DO NOT SCALE IF IN DOUBT ASK	THIRD ANGLE PROJECTION			3/23847/0			Sht 1 of 3



Colour: Traffic White RAL 9016
 Texture: Smooth Texture/Satin Finish
 * As per Chesil Suite

Colour: Traffic Black RAL 9017
 Texture: Smooth Texture/Satin Finish
 * As per Arch Optiflame Suite

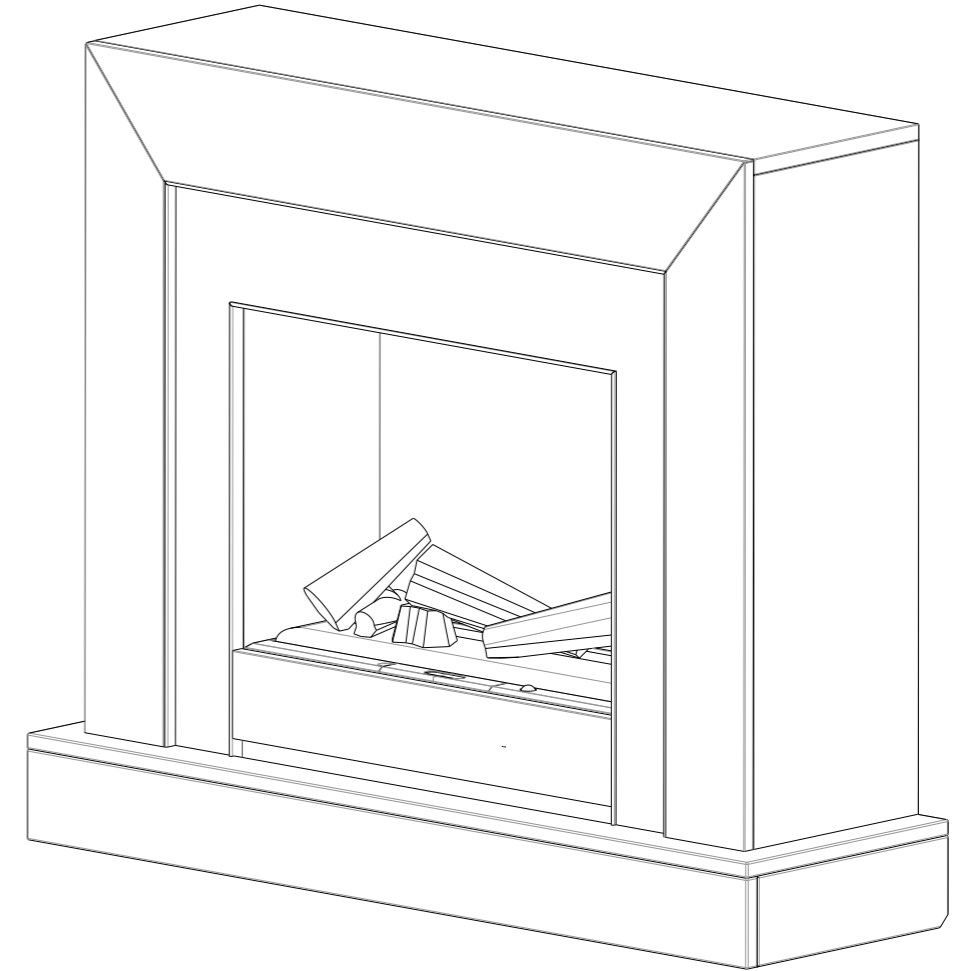
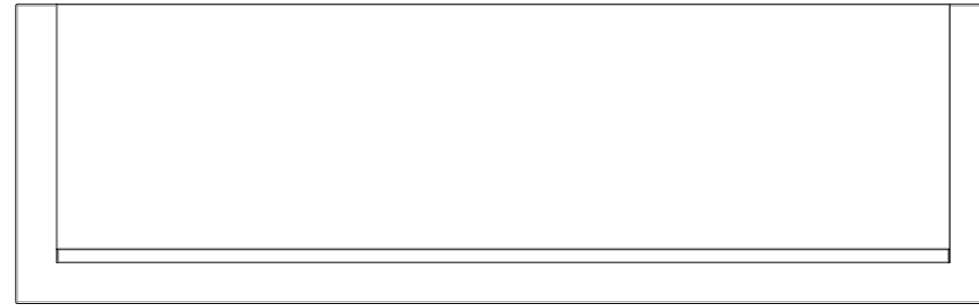
Finish: Concrete Fuerj Ref 5403-13



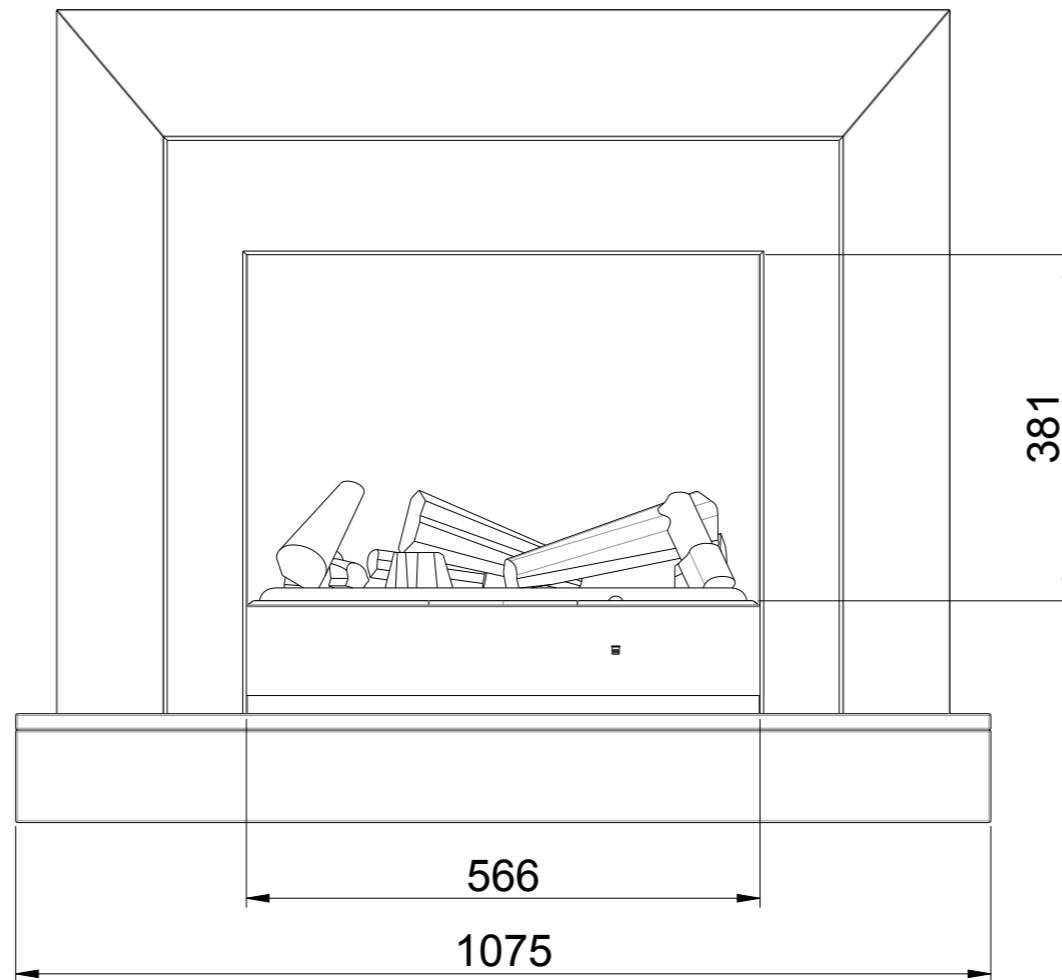
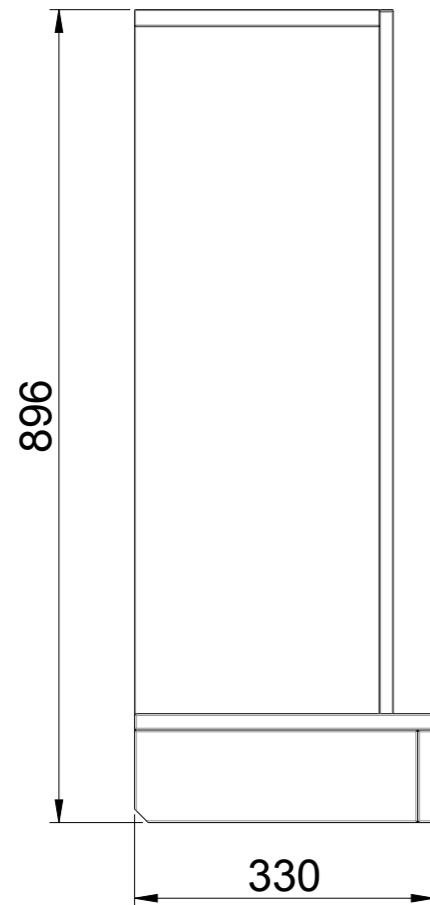
Cable management detail.

Part No. 1/74921/0
 Air inlet bracket
 Material: 0.8mm GPMS
 Finish: Powdercoated paint black

ISSUE	MODIFICATIONS	OCN	APPD	DATE	NOTES																				
1	Production Release.	----	D.Kiely	04-Apr-19	- ENG56-600 to be used in this Suite. - No FSC requirements.																				
					<p>GLEN DIMPLEX RESEARCH & DEVELOPMENT HEATING AND VENTILATION IRELAND Barn road, Dunleer, Co.Louth, Ireland. Tel: +353(0)41 6872000</p> <table border="1"> <tr> <td>DRAWN BY</td> <td>DATE</td> <td>SCALE</td> <td>HOLE TOL</td> <td>GEN TOL</td> </tr> <tr> <td>D.Kiely</td> <td>17-Dec-18</td> <td>0.12%</td> <td>+/-0.05</td> <td>0 +/-0,4</td> </tr> <tr> <td>APP'D BY</td> <td>DATE</td> <td>DIM IN</td> <td>ANGLES</td> <td>0,0 +/-0,2</td> </tr> <tr> <td>N/A</td> <td>N/A</td> <td>mm</td> <td>+/-0.5°</td> <td>0,00+/-0,1</td> </tr> </table> <p>MATERIAL See individual parts</p> <p>FINISH See individual parts</p> <p>R.o.H.S. compliant All materials must comply with the requirements of European Directive 2011/65/EU on the restriction of the use of certain hazardous substances</p>	DRAWN BY	DATE	SCALE	HOLE TOL	GEN TOL	D.Kiely	17-Dec-18	0.12%	+/-0.05	0 +/-0,4	APP'D BY	DATE	DIM IN	ANGLES	0,0 +/-0,2	N/A	N/A	mm	+/-0.5°	0,00+/-0,1
DRAWN BY	DATE	SCALE	HOLE TOL	GEN TOL																					
D.Kiely	17-Dec-18	0.12%	+/-0.05	0 +/-0,4																					
APP'D BY	DATE	DIM IN	ANGLES	0,0 +/-0,2																					
N/A	N/A	mm	+/-0.5°	0,00+/-0,1																					
					<p>THIS DRAWING IS SUPPLIED IN CONFIDENCE AND THE COPYRIGHT THEREOF IS THE PROPERTY OF GLEN DIMPLEX: IT MUST NOT BE USED BY A THIRD PARTY WITHOUT PRIOR PERMISSION. ©2018</p> <p>PROJECT: Ravel SUITE</p> <p>TITLE: Ravel Suite Finishes</p> <p>NO. OFF: 1</p> <p>DRG NO: 3/23847/0</p> <p>A3 Sht 2 of 3</p>																				
		DO NOT SCALE		THIRD ANGLE PROJECTION																					
		IF IN DOUBT ASK																							



SCALE 0.120



ISSUE	MODIFICATIONS	OCN	APPD	DATE	NOTES
1	Production Release.	----	D.Kiely	04-Apr-19	

DO NOT SCALE
IF IN DOUBT ASK

THIRD ANGLE PROJECTION

GLEN DIMPLEX RESEARCH & DEVELOPMENT
HEATING AND VENTILATION IRELAND
Barn road, Dunleer, Co.Louth, Ireland. Tel: +353(0)41 6872000

DRAWN BY D.Kiely	DATE 04-Apr-19	SCALE 0.12%	HOLE TOL +/-0.05	GEN TOL 0 +/-0,4
APP'D BY N/A	DATE N/A	DIM IN mm	ANGLES +/-0.5°	0,0 +/-0,2

MATERIAL
See individual parts

FINISH
See Finished Drawing

R.o.H.S. compliant
All materials must comply with the requirements of European Directive 2011/65/EU on the restriction of the use of certain hazardous substances

THIS DRAWING IS SUPPLIED IN CONFIDENCE AND THE COPYRIGHT THEREOF IS THE PROPERTY OF GLEN DIMPLEX: IT MUST NOT BE USED BY A THIRD PARTY WITHOUT PRIOR PERMISSION. ©2018	
PROJECT	RAVEL SUITE ENG56-600
TITLE	Installation Drawings
NO. OFF:	1
DRG NO	7/20566/0
	A3
	Sht 3 of 3